



TymServe™ 2100

Revision I

User's Guide

#8500-0033
February, 2005

Legal Notices

Copyright 2003 Symmetricom, Inc. All rights reserved. The distribution and sale of this product and guide are intended for the use of the original purchaser only.

SYMMETRICOM, INC. PROVIDES THIS PUBLICATION "AS IS" WITHOUT WARRANTY OF ANY KIND, EITHER EXPRESS OR IMPLIED. IN NO EVENT WILL SYMMETRICOM BE LIABLE FOR DIRECT, INDIRECT, SPECIAL, COVER, INCIDENTAL, OR CONSEQUENTIAL DAMAGES ARISING OUT OF THE USE OF OR INABILITY TO USE THE SOFTWARE OR DOCUMENTATION, EVEN IF SYMMETRICOM HAS BEEN ADVISED OF THE POSSIBILITY OF SUCH DAMAGES ARISING FROM ANY DEFECT OF ERROR IN THIS PUBLICATION.

This product is classified by the U.S. Department of Commerce as Retail Product Encryption Software and is eligible for license exception ENC under sections 740.17 (A)(3) and (A)(4) of the Export Administration Regulations.

TymServe is a trademark of Symmetricom, Inc. U.S. and Foreign Patents Pending. All rights reserved.

Microsoft is a registered trademark of Microsoft Corporation. Microsoft Windows, Microsoft Word, and Active X are trademarks of Microsoft Corporation. Java is a registered trademark of Sun Microsystems, Inc. Federal Express is a registered trademark of Federal Express Corporation. Adobe and Acrobat are registered trademarks of Adobe Systems Incorporated. RSA is a registered trademark of RSA Security, Inc. All other brand or product names are trademarks or registered trademarks of their respective companies or organizations.

This User Guide manual is provided to assist the user in the operation and maintenance of the supplied equipment or software. It is recognized that multiple copies of this manual may be required to support even a single unit and for this reason, permission is hereby granted to reproduce the supplied User Guide for the purpose stated above, provided that this notice is included as part of the copy. Additional copies are also available from Symmetricom for a nominal fee, or from our web site below.

In no case, however, does the supply of this User Guide or the granting of rights to reproduce it, grant any rights to use information contained within to reproduce the supplied equipment or software, either in whole or in part.

The equipment or software described in this manual have been developed solely at the expense of Symmetricom and are proprietary. No unlimited rights in technical data are granted. Limited rights as per DFARS 252.227-7013 shall be effective for 10 years from the copyright date.

SYMMETRICOM TIMING TEST & MEASUREMENT

3750 Westwind Blvd.

Santa Rosa, California 95403 USA

Tel: 707-528-1230 or 1-888-367-7966 (US only)

Fax: 707-527-6640

International: 1-408-428-7907

E-mail: support@ntp-systems.com

www.symmetricom.com

TYMSErVE™ 2100 USER GUIDE

TABLE OF CONTENTS

Chapter 1: TymServe™ 2100 Network Time Server Overview 1

Welcome and Overview	1
TymServe Components	2
About Time Synchronization	7
About This User Guide	9
Technical Support	9
Unpacking Your TymServe	10

Chapter 2: Installing Your TymServe 2100 13

Quick Initial Setup and Permanent Installation: A Preview	13
Quick Initial Setup	14
Permanent Installation	19
Antenna Installation: GPS	22
Cable Installation: Non-GPS	23
Configuration Methods	25

Chapter 3: TymServe 2100 Operation and Time-Related Protocols 31

TymServe Operation	31
Time Distribution Model	33
Time Protocols	33
NTP Authentication	37
Sysplex Timer	38
ACTS Interface	39

Chapter 4: Command Shell and Command Descriptions 41

Shell Overview	41
Command Description	42
Network Directory	44
Timing Directory	55
Serial Directory	67
Utility Directory	69
Intrinsic Help	72

Chapter 5: SNMP Configuration and Control 75

- SNMP Configuration Overview 75
- Additional Stored MIB Variables 76
- MIB Compilation 76
- Security 76
- SNMPv1 76
- MIB-II Extension File 77

Chapter 6: FAQ and Troubleshooting 79

- Frequently Asked Questions 79
- Troubleshooting 84

Appendix B: Input/Output Connectors 93

- TymServe 2100: Front and Rear Panels 93
- Pin Descriptions 94

Appendix C: Firmware Upgrade 99

- Overview on Installing Your New Firmware After Downloading 99
- Where to Get Your Firmware Upgrade 99
- How to Install Firmware Upgrades into TymServer 100
- After the Download 102

Appendix D: Symmetricom MIB Extension 105

- Overview 105
- Symmetricom MIB Extension Code and Commands 105

Appendix E: Glossary 123

- Time Glossary Terms 123

Appendix F: TS Option 08G 135

- TS Option 08G: Dual Input 38-73V Power Supply 135
-

Appendix G: Declaration of Conformity **137**

Appendix H: Customer Support **139**

Appendix I: Converting UTC Time to GPS Time **141**

Overview **141**

Enabling GPS Time **141**

Index **143**



Chapter 1: TymServe™ 2100

Network Time Server

Overview

In This Chapter

This chapter gives an introduction to the TymServe™ 2100 Network Time Server, and to various time concepts. It also reviews the unpacking of the TymServe.

Welcome and Overview

The TymServe is a stand-alone time server that distributes time over a TCP/IP network, including the Internet, using the Network Time Protocol (NTP).

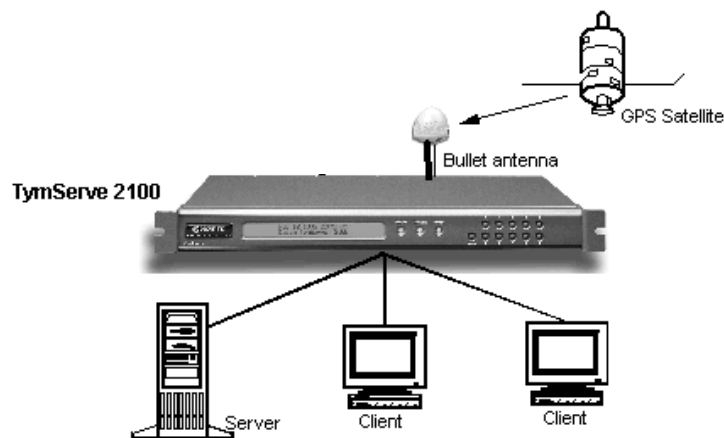


Figure 1-1 TymServe Distributing Time

The TymServe acts as a primary time server that broadcasts or responds to the specific time requests from client computers. In a client/server mode, the NTP client sends a time request packet to the server, the server affixes its current time and returns the packet, and the client software processes the time data to adjust its local clock.

The TymServe's accuracy—meaning its ability to synchronize time over the network—is typically one to 100 milliseconds, depending on the network configuration. The time is obtained and tracked from one of four sources:

- The Global Positioning System (GPS) satellite network
- Inter Range Instrumentation Group (IRIG) IRIG-B code
- National Institute of Standards and Technology (NIST) in the United States

The time is adjusted, if necessary, by NIST to the correct international standard time, called Universal Coordinated Time.

TymServe Components

The following section gives an overview of the TymServe components.

Server

First: About Stratum Levels

Years ago, the telephone industry established standards for Network Time Protocol, standards still used today in IETF RFC 1305. These hold that the accuracy of each server is defined by a number called its **stratum**. The highest level is 0; Stratum 0 devices, such as GPS or radio clocks, are connected to a primary time reference, such as the national atomic clock. Each level “away” from this primary time reference adds on another number. The Stratum of a primary server, which gets its time from, for example, a GPS, is assigned as 1.

Devices that get their time from a Stratum 1 primary server via NTP are Stratum 2, Stratum 3, and so forth. A Stratum 2 or 3 Server simultaneously acts as a client, deriving its time via an NTP process with a Stratum 1 (or 2) Server, and acts as a server for clients further down the hierarchy.

A summary follows.

Table 1-1: Stratum Levels: Summary

Stratum Level	Significance
Stratum 0	Connected to a primary time reference, this device—usually a GPS or radio clock—is synchronized to national standard time.
Stratum 1	A Stratum 1 time server derives time from a Stratum 0 time source
Stratum 2...n	A Stratum 2 (and so on) device derives its time from a Stratum 1 server, or other Stratum 2...n device via NTP.

Obviously, the further away a network is from the primary source, the higher the possibility of signal degradation because of variations in communication paths and the stability of the local clock.

The TymServe 2100 strata are:

Table 1-2: TymServe Strata

Stratum	TymServe Source
1	GPS, NIST
2	IRIG-B (source: Stratum 1)
3	IRIG-B (source: Stratum 2)

For additional details about stratum levels, see:

- <http://www.ietf.org/rfc/rfc1305.txt>

TymServe's Server

As stated above, the TymServe is classified as a Stratum 1 Time Server when in GPS or NIST mode, and a Stratum 2 or 3 time server when in IRIG mode depending on the IRIG source. This means it derives its time from a Primary Time Reference (Stratum 0), such as a GPS satellite or a radio clock synchronized to national standard time.

Client

Client NTP software varies widely, depending on the type of host and its operating system. Included with your TymServe is Symmetricom's SymmTime™, a shareware program that runs on Win9x and NT platforms. Other NTP client software can be used.

Global Positioning System

The U.S. Department of Defense Global Positioning System (GPS) is a constellation of 24 satellites that each orbit twice a day; their orbits are inclined 56 degrees to the equator. These satellites transmit signals that are used by the GPS receivers to very precisely determine the position and time. The GPS receiver in your TymServe tracks the satellites as they pass overhead, and determines the time and position from the satellites' range from the antenna.

The time is expressed as the number of weeks since midnight January 6, 1980 (GPS Week) plus number of seconds in the week. These two values are transmitted as binary integers from the satellites and converted into conventional date or day by the GPS receiver.

The orbits of these satellites and the offset (relative to international standard time, UTC) of their on-board cesium atomic clocks is precisely tracked by the US Air Force control network. Position and time correction information is uplinked from the ground control stations and maintained in the satellites in what is termed *ephemeris tables*, or tables of data that describe the satellite's position when compared to specified coordinates. Each satellite transmission reports the satellite's current position, GPS time, and the offset of the satellite's clock relative to UTC, international standard time.

IRIG

InteRange Instrumentation Group, more commonly known as IRIG, is an analog standard for serial time code formats, a way of stating time.

The most commonly used IRIG-B per time code is formatted as a 100-bit time code composed of:

- 30 bits of BCD time-of-year information
 - 7 for seconds
 - 7 for minutes
 - 6 for hours
 - 10 for days
- 17 bits of straight binary seconds-of-day (stod)
- Time Frame 1.0 seconds
- Carrier Frequency 1KHz when modulated

This is a visual representation of the time code:

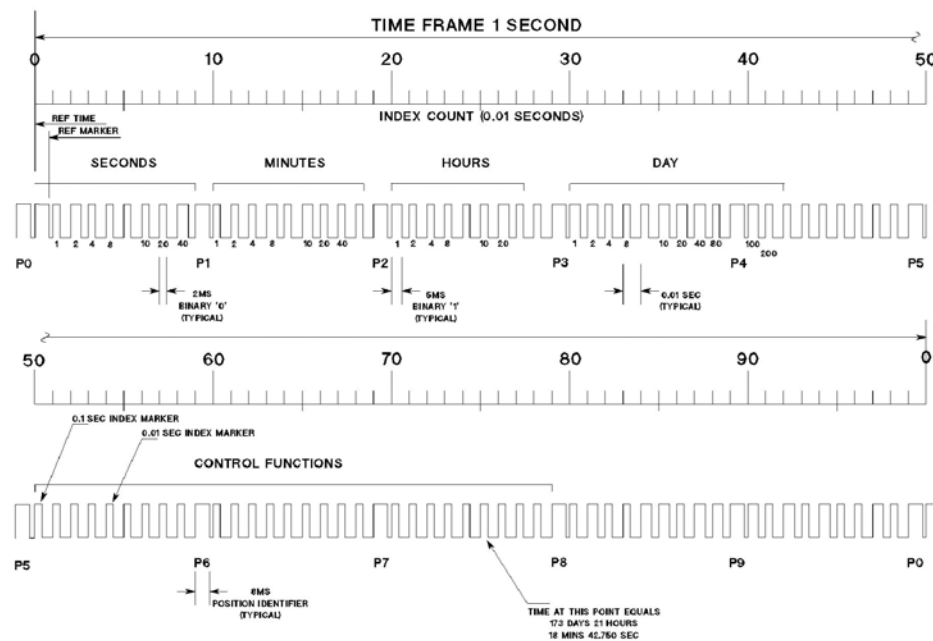


Figure 1-2 IRIG-B Time Code

ACTS

NIST's Automated Computer Time Service (ACTS) has been provided since 1988 for users who need to synchronize clocks to the correct time.

The TymServe connects to ACTS via telephone, at 9600 baud. The information in the time code is then used to set the TymServe. There are two phone numbers maintained by NIST:

Phone Number	Location
(303) 494-4774	Colorado
(808) 335-4721	Hawaii

Time Code

The time code looks like this:

JJJJJ YRMODA HH:MM:SS TT L DUT1 msADV UTC(NIST) OTM

An explanation:

- **JJJJJ** is the Modified Julian Date (MJD). The MJD is the last five digits of the Julian Date, which is the number of days since January 1, 4713 B.C. To get the Julian Date, add 2.4 million to the MJD.
- **YRMODA** is the date. It shows the last two digits of the year, the month, and the current day of month.
- **HH** is the hours. It is a two-digit BCD number from 0 to 23.
- **MM** is the minutes. It is a two-digit BCD number from 0 to 59.
- **SS** is the seconds. It is a two-digit BCD number from 0 to 59.
- **TT** is a two-digit code (00 to 99) that indicates whether the United States is on Standard Time (ST) or Daylight Saving Time (DST). It also indicates when ST or DST is approaching.

How it works: This code is set to **00** when ST is in effect, or to **50** when DST is in effect. On the day of the transition from DST to ST, the code is set to **01**. On the day of transition from ST to DST, the code is set to **51**. The client software is responsible for implementing the change at 2AM on the day of the transition. During the month of the transition, the code is decremented every day until the change occurs. For example, October is the month of the transition (in the United States) from DST to ST. On October 1, the number changes from 50 to the actual number of days until the time change. It will decrement by 1 every day, and reach 01 on the day of the transition. It will be set to 00 the day after the transition, and will remain there until the following April.

- **L** is a one-digit code that indicates whether a leap second will be added or subtracted at midnight on the last day of the current month.

How it works: If the code is 0, no leap second will occur this month. If the code is 1, a positive leap second will be added at the end of the month. This means that the last minute of the month

will contain 61 seconds instead of 60. If the code is 2, a second will be deleted on the last day of the month. Leap seconds occur at a rate of about one per year. They are used to correct for irregularity in the earth's rotation.

- **DUT1** is a correction factor for converting UTC to an older form of universal time. It is always a number ranging from -0.8 to +0.8 seconds. This number is added to UTC to obtain UT1.
- **msADV** is a five-digit code that displays the number of milliseconds that NIST advances the time code. It is originally set to 45.0 milliseconds. If you return the on-time marker (OTM) three consecutive times, it will change to reflect the actual one-way line delay.
- The label **UTC(NIST)** indicates that you are receiving Coordinated Universal Time (UTC) from the National Institute of Standards and Technology (NIST).
- **OTM** (on-time marker) is an asterisk (*). The time values sent by the time code refer to the arrival time of the OTM. In other words, if the time code says it is 12:45:45, this means it is 12:45:45 when the OTM arrives.

For more information, see <http://www.bldrdoc.gov/timefreq/service/acts.htm>.

About Time Synchronization

Time Standards

The international time standard is called Universal Coordinated Time or, more commonly, UTC, for “Universal Time, Coordinated”. This standard was agreed upon in 1970 by worldwide representatives within the International Telecommunication Union. The designation “UTC” was chosen as a compromise among all the countries’ abbreviations for Universal Coordinated Time.

Time Synchronization and Business

Reliable time synchronization is essential for doing business today.

Ensuring all components of a network are synchronized to the global UTC time standard is critical for accurate time stamps, operational logs, and security applications. Many complex data processing tasks are dependent upon precise event sequences that are, in turn, dependent upon each sequence having a correct time tag.

By using something other than a dedicated time server, problems can arise, such as:

- Security risks: Users who retrieve time from an outside source, such as the Internet, are going outside your firewall.
- Bandwidth consumption: By attempting to synchronize time by using WAN (wide area network) links, users are consuming expensive bandwidth, which can also degrade time accuracy.
- Lost time: If your network synchronization relies on only one source for time reference, your network can be seriously compromised if that one connection is lost.

So how should you synchronize your network's time?

TymServe Solves the Problem

TymServe sets system time by providing a single, unbiased time reference that draws from multiple sources. All your computer networks are securely synchronized against this time reference. TymServe has the unique advantage of having its own high performance crystal. This way, you make sure NTP clients always receive accurate time, even if the GPS or other external time references become temporarily unavailable.

TymServe operates as a Stratum 1 time server, with accuracy to the nearest microsecond relative to UTC as maintained by the U.S. Naval Observatory.

Time is distributed within the network using the Network Time Protocol (NTP), and between multiple sites. The result is that with TymServe, network users can get time without breaching your firewall.

Full specifications are found in *Appendix A*.

Customer Solutions


You have purchased a fine product. You join others who have been using TymServes for log-file synchronization, network component synchronization, and server synchronization. This includes companies in:

- Defense
- Aerospace/aircraft manufacturing
- Regional telephone systems
- Networking hardware
- Internet service providers
- Express mail companies
- Software companies
- Banking
- Health care/hospitals
- Telecommunications
- Higher education

About This User Guide

This User Guide is designed for network administrators and others who have at least a basic understanding of network configuration and operation.

Table 1-3: Conventions Used in this Guide

Term	Definition
Bold	Boldface type is used for menu and command names; field, tab, and button labels; and special terms.
Courier	The <code>Courier</code> typeface is used to designate file names and folder names.
<i>Courier Italics</i>	Variables are in <i>Courier Italics</i> .
	The warning symbol alerts the user to information that if improperly used could be harmful to people, equipment, or data.

Technical Support

Technical support for your TymServe is available through Symmetricom at 1-888-367-7966 or (707) 528-1230, or through your distributor/reseller. International? call 1-408-428-7907 or E-mail: support@ntp-systems.com. See Appendix H for additional information.

Additional copies of this *User Guide* are available through your Symmetricom representative.

Unpacking Your TymServe

Unpack and inspect each item in the box. If there is any damage, or any items are missing, please contact Symmetricom at 1 (888) 367-7966 or (408) 428-7907 immediately.

The following items, pictured on the next page, should be included:

Table 1-4: TS 2100 and Accessories

For the TymServe 2100-IRIG	For the TymServe 2100-GPS	For the TymServe 2100-
TymServe 2100	TymServe 2100	TymServe 2100
A/C Power Cord with US-style wall plug	A/C Power Cord with US-style wall plug	A/C Power Cord with US-style wall plug
Utility CD (SNMP Customer MIB extension and SymmTime™ SNTTP client software)	Utility CD (SNMP Customer MIB extension and SymmTime™ SNTTP client software)	Utility CD (SNMP Customer MIB extension and SymmTime™ SNTTP client software)
<i>User Guide</i> (this manual)	Antenna (Bullet II or optional High Gain)	Antenna with 20 feet of RG 58 cable
	Antenna Mast - 40 cm aluminum mast threaded to screw into the bottom of antenna	<i>User Guide</i> (this manual)
	Mounting Bracket - for attaching mast to railing	
	50-foot standard RG58 (Belden 8240) or optional RG8 (Belden 9913) coaxial cable	
	<i>User Guide</i> (this manual)	

Tools Needed for Installation

The TymServe is easy to install. The only tool needed is a medium-sized slot-head (flat-head) screwdriver.

Do Not Remove Case Cover


	<p>DANGER! <i>Under no circumstances</i> should you remove the cover of the TymServe. Not only would such an action disable the unit, it is extremely dangerous because of the electrical connections contained inside.</p> <p style="text-align: center;"><i>Do not remove the TymServe cover!</i></p>
---	--



Figure 1-3 TS 2100 Components

Installation

Installation instructions are in the next chapter.

Chapter 2: Installing Your TymServe 2100

In This Chapter

This chapter reviews Quick Initial Setup, Permanent Installation, and initial configuration of your TS2100.

Quick Initial Setup and Permanent Installation: A Preview

Table 2-2: Quick Initial Setup and Permanent Installation

Description	Quick Initial Setup	Permanent Installation
Installation Type	Place TymServe on the desk close to your desktop or laptop computer	Mount TymServe on 19-inch rack close to TCP/IP network
Antenna	Run it outside the building or set it close to a glass window with a view of the sky	Do a rooftop installation with mast and cable
Setup Computer	Use RS-232 with HyperTerminal in Windows/NT desktop or laptop computer	Use a VT100 ASCII Terminal via serial interface on any compatible host of Telnet Connection after the Quick Initial Setup
Setup Commands	These commands are: IP Address, Net Mask, Default Route, and Time Source	Follow the same steps as Quick Initial Setup, plus set of commands as described in Chapter 4: Command Shell and Command Descriptions
Client Synchronization	Use SymmTime Utility SNTP client software for Windows/NT. This software is included in the Utility CD provided with TymServe	Download NTP Client software from an NTP Internet Site. This software may require support from your IT group for configuration

Quick Initial Setup

If you want to do a quick install of your TS2100 in order to verify its operation with known client software, follow these steps before doing the permanent installation.

NOTE: The configuration of network and timing that is performed during the Quick Initial Setup is also required for the Permanent Installation.

Cutting to the Chase: Quick Initial Setup, Easy Steps

1. **Place** the TymServe in the mounting rack, **attach** antenna cable and power input. *Do not* connect the TymServe to your network just yet.
2. **Switch on** the power.
3. On the front keypad of the TymServe, **press** these buttons in this sequence: **menu, 1, 1**. Then **enter** the IP address in dotted quad notation: xxx.xxx.xxx.xxx. Enter three digits for each octet; use zeroes to fill out the number if there are only one or two digits.
4. On the TymServe's front keypad, **press** these buttons: **menu**, then **1**, then **2**. Then **enter** the subnet mask.
5. On the TymServe's front keypad, **press menu, 1, 3**. Then **enter** the default gateway. You're done.

Quick Initial Setup (GPS), Details:

1. After unpacking the standard GPS antenna, **remove and discard** the rubber washer covering the terminal threads.
2. **For GPS**, connect the coaxial antenna cable directly to the bottom of the antenna. If you are using the optional Belden 9913 cable, use the adapter terminal. Connect to the ANT J6 connector on the TymServe's rear panel. If necessary, use the adapter terminal. An illustration of cable connections follows.

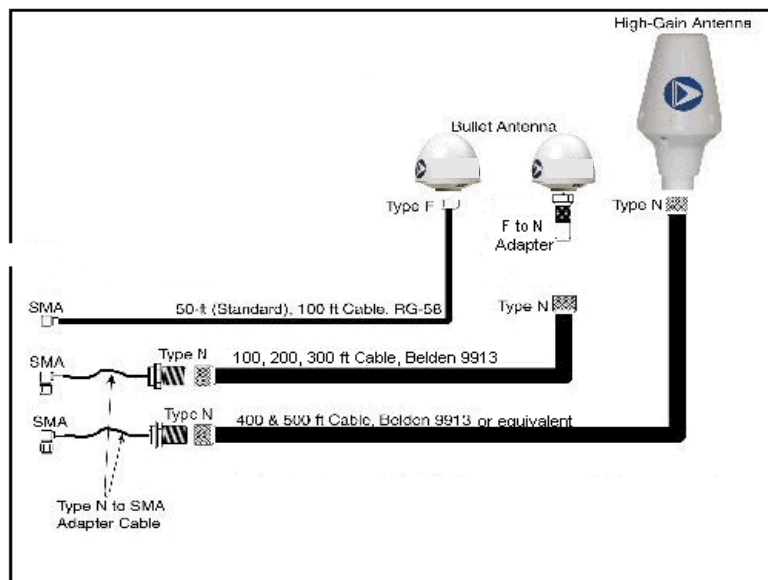


Figure 1-4: Antenna and Cable Options

- Run the antenna cable outside the building, on the ground, or inside the building very close to a window with a view of the sky. (If you are using the mast, pass the Type F connector end of the antenna cable through the antenna mast, then connect it with the bottom of the antenna.)

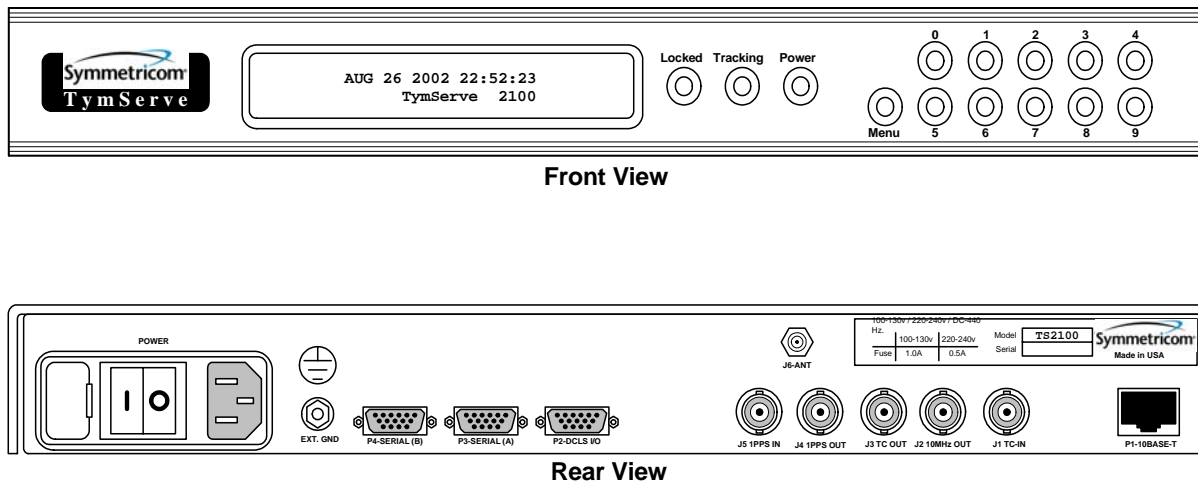


Figure 1-5: Front and Rear Views of TymServe 2100

- Connect the other end of the antenna cable to J6 (SMA connector) on the back of the TymServe.
- Connect setup computer to Serial Port B of the TymServe, with a **straight-through** RS-232 serial cable.
NOTE: It is very important to use a straight-through antenna. Sample configurations follow later in this chapter.
- Connect the TymServe from the RJ45 connector to the TCP/IP network through Ethernet 10baseT twisted pair cable. If the connection is made directly to the computer, use cross-over 10baseT cable. Otherwise, use an Ethernet hub for connections.
- Connect a 100-130V/220-240V, 48-440 Hz A/C power supply to the back of TymServe and turn the power on. The green **Power** light should come on.

Next, establish a serial connection between the setup computer and the TymServe:

- On the computer, Click **Start->Accessories->HyperTerminal**
- Double-click `Hyperterm.exe`.
- In the **Connection Description** dialog's **Name** field, enter a name of your choosing.
- Click **OK**.
- In the **Phone Number** dialog's **Connect Using** area, select **com Port number**.
- Click **OK**.

- In the **Com1 Properties** dialog, enter the following Port Settings information:

Bits per second:	9600
Data bits:	8
Parity:	none
Stop bits:	1
Flow Control:	Xon/Xoff

- Click **OK**.
- The TymServe interface displays (see Figure 2-3).
- Press the **Enter** key twice to see the **?** mark. This indicates that the serial connection with the TymServe is established and the unit is ready for initial configuration.

NOTE: Telnet commands are detailed in [Chapter 4: Command Shell and Command Descriptions](#).

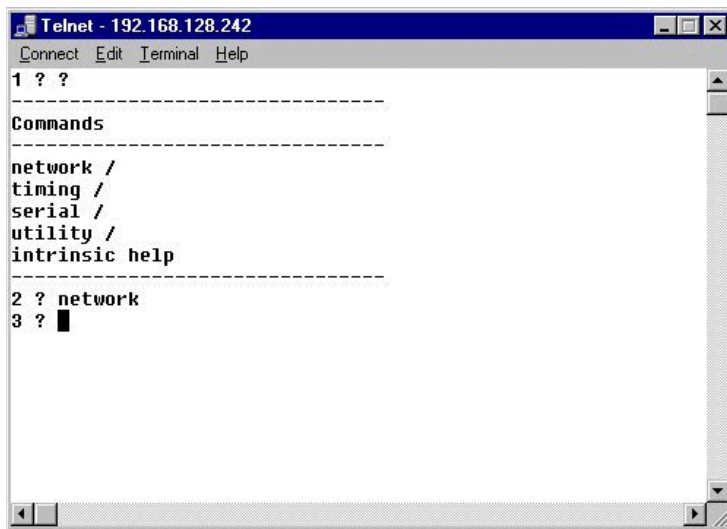


Figure 1-6: (Shell) TymServe Interface

Initial Configuration of the TymServe

Using the interface, configure the following network and timing parameters:

1. **Enter** IP address.
2. **Enter** Subnet mask.
3. **Enter** Default gateway for the devices on a different subnet.
4. **Enter** Timing Source:

If this is the timing source,	then enter this:
GPS	mode 6
IRIG	mode 0
PPS	mode 2
Free run	mode 1

NOTE: Symmetricom recommends that you make a note of these parameters for future reference and for the Permanent Installation.

Acquiring the Satellite Signals

After the initial configuration, the TymServe will seek, or *track*, the satellite signals.

You will know the TymServe is tracking the satellite signal because the **Tracking** light on the front of the TymServe is on. Tracking can take 5-30 minutes.

And after the Tracking light comes on, it may take another 15-30 minutes for the internal oscillator to stabilize, though it could take up to 24 hours depending on the oscillator type—the more stable the oscillator the longer it will take to lock. Once it is stabilized, the **Locked** light on the front of the TymServe comes on.

With all three LEDs on—Power, Tracking, Locked—the unit is ready to distribute time.

Testing Functionality

Once the serial connection with TymServe is established, you need to

- Check the functionality of the Network Time Protocol (NTP), and
- Install the SymmTime Utility software.

To check the functionality of the NTP, first check the Ethernet connection between the TymServe and the client computer:

1. Call up the client computer's command prompt.
2. Enter ping command to verify that the TymServe is visible on the network.

Example: ping ip address of the TymServe

3. Press **Enter**

If there is an affirmative response, the TymServe is visible.

NOTE: If there is no response, then troubleshoot and fix the connection problem before checking the functionality of the TymServe on the network.

The SymmTime Time Utility

The SymmTime™ time utility is a handy way of keeping accurate time on your client computer.

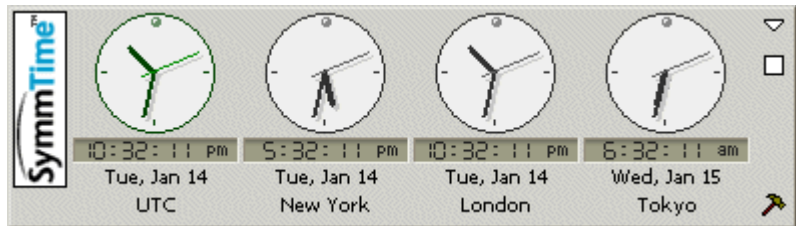


Figure 1-7: SymmTime™ Time Utility

To install SymmTime, see the following instructions.

To install the SymmTime software:

1. On the client computer's hard drive, create a separate directory for SymmTime.
2. Copy the `SymmTime.exe` file from the utility disk into this directory.
3. Double-click `SymmTime.exe`. This will install the program onto your computer.
4. Configure the clocks the way you want.
5. Right-click on the displayed clocks for the menu and select **Server Options**.
6. Select the **Active Server** you wish to use to obtain your time.
7. Click **OK**.

To synchronize SymmTime:

1. Right-click anywhere on the clocks. Select **Sync Options** to tell your computer when to automatically get time from the TymServe.
2. Click **OK**.

What's Next

Now that you have completed the Quick Install, and verified the TymServe's operation, continue on to the Permanent Installation.

Permanent Installation

TymServe's Permanent Installation procedure assumes you have completed the Quick Initial Setup, and that you have verified its functionality. The steps for Quick Initial Setup are at the beginning of this chapter of this *User Guide*.

To do the Permanent Installation:

1. **Disconnect** the following from TymServe:
 - Antenna cable
 - RS-232 serial cable
 - 10baseT Ethernet cable
 - Power cable
2. **Install and secure** the TymServe in the rack with the screws.
3. After the physical installation, **connect** the TymServe to the A/C power supply.
4. **Connect** the 10baseT twisted pair Ethernet cable from the RJ45 connector of the TymServe to the network.
5. **Connect** the GPS antenna cable to the back of the TymServe. For more details on this, please refer to the *Antenna and Cable Installation* section later in this chapter.
6. **Turn on** the power. For VCXO or OXCO units, the Tracking light will turn on in about 15-30 minutes, and the Locked light will turn on when the internal oscillator stabilizes, in another 15-30 minutes. For Rubidium units, the Tracking light may take eight hours to light; this is the time that it takes for the Rubidium to “age”, and for the disciplining algorithm to guide the Rubidium to the correct frequency.

NOTE: The TS2100 “remembers” the mode—GPS, Time Code, Freewheeling, or 1 PPS input—that it was powered down in, and will begin in that mode when powered up again.

Now the TymServe is ready to be configured.

NOTE: The TymServe is shipped from the factory with the Dynamic Host Configuration Protocol (DHCP) option turned off. If the IP address is dynamically obtained from the DHCP server, note this address for establishing the Telnet session.

Installing the GPS antenna and lightning arrester

This is the best way to install the GPS antenna with optional lightning arrester:

1. Slide the antenna mounting pole down over the antenna cable that is attached to one side of the lightning arrester, so that the cable passes through the center of the pole.
2. Take the end of the cable that has passed through the pole and screw the antenna onto the cable by turning the antenna.
3. Screw the antenna down on the mounting pole by turning the pole.
4. Use the saddle straps to mount the antenna mast in an area where the antenna has a 30 degree view of the horizon.
5. Mount the lightning arrester case onto a grounded object or attach a ground strap to the device.

6. After running the cable from the TymServe location to the lightning arrester, attach the cable to the lightning arrester.

Sample TymServe Configurations

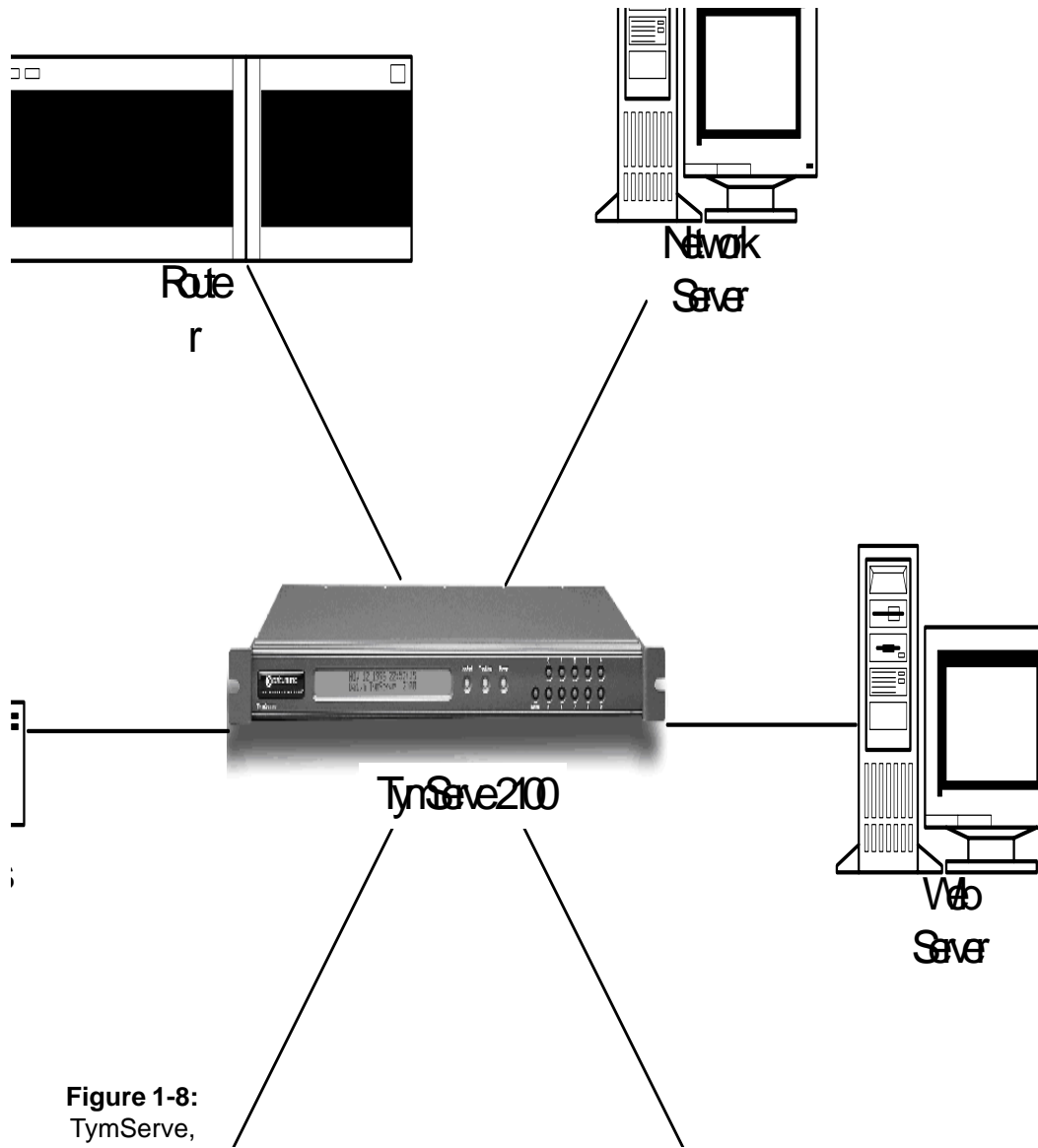


Figure 1-8:
TymServe,

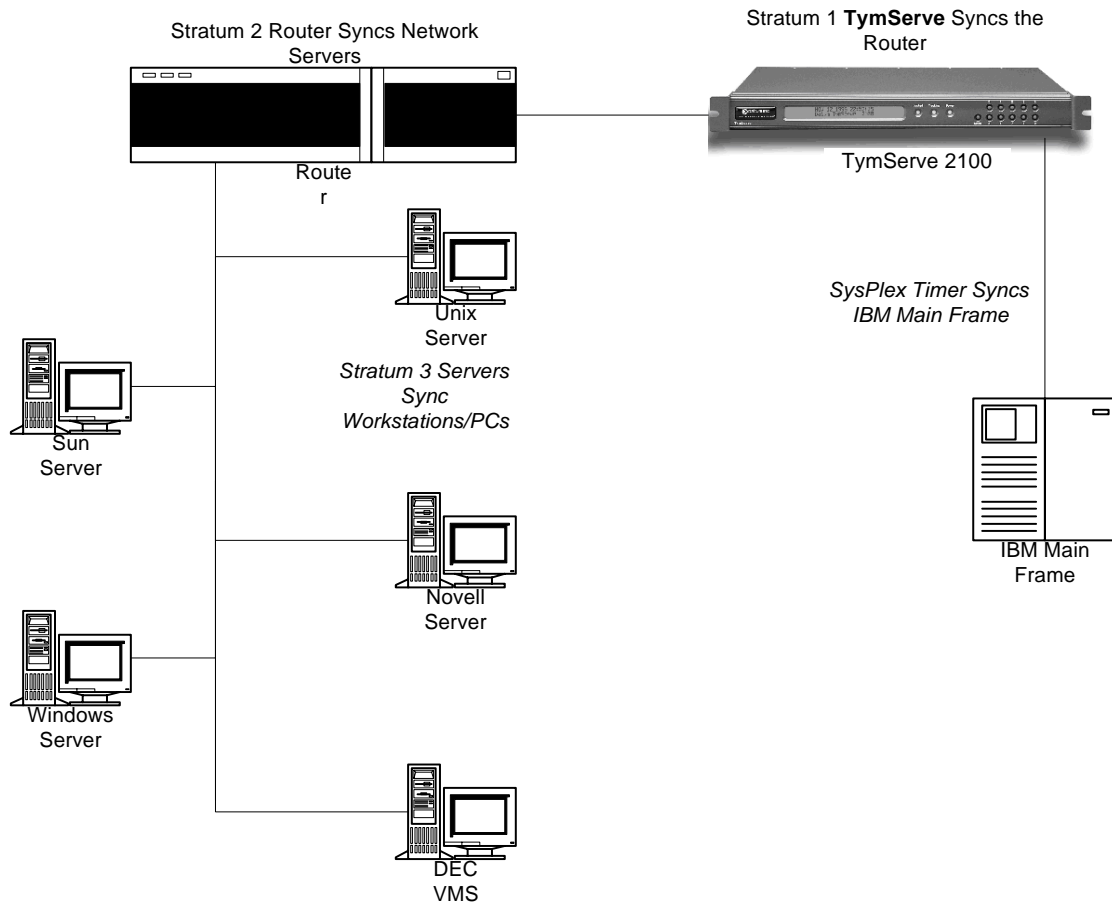


Figure 1-9: TymServe as Stratum 1 device with Stratum 2...n devices

A Word about NTP Client Software

Since this *User Guide* covers only the installation and basic configuration of the TymServe, NTP Client software is not discussed. We recommend you use SymmTime™ Utility, which is included with TymServe, or is downloadable at:

<http://www.ntp-systems.com/symmtime.asp>

Also, you can find information about NTP Client software and its configuration at:

<http://www.ntp.org>

Antenna Installation: GPS

Antenna placement and cable routing are the most demanding aspects of installing a GPS-based instrument. For more details, please see Symmetricom's *TS 2100 GPS Installation Guide*.

The bullet antenna provided with the TymServe comes with a weatherproof housing, suitable for permanent installation in an outdoor location.

NOTE: If the antenna has to be installed in a partially enclosed environment, test it for functionality before you permanently install it.

Best Location

The Global Positioning System (GPS) of 24 satellites are in orbits inclined 56 degrees to the equator, each orbiting the earth twice a day. This angle means that the further north you are in the northern hemisphere, the more probable it is that satellites will be passing to the south of you. And if you are in the southern hemisphere, the satellites will be passing to the north of you. Please consider this as you install your antenna.

The antenna should be located with an unobstructed, clear view of the sky for optimum tracking conditions. The antenna can receive satellite signals through glass, canvas, or thin fiberglass. The satellite signals cannot penetrate foliage, or dense wood or metal structures. The antenna's operation is not affected if it is partially covered with snow, provided the snow is dry and does not form a continuous ice sheet on the surface. The shape of the bullet antenna is designed to prevent accumulation of rain, snow, or ice on its surface.

The GPS transmission is a 1.5 GHz (L1 Band) spread-spectrum signal. Being spread-spectrum means it is relatively immune to interference. But high energy sources, especially those with significant in-band energy, can swamp the receiver's radio frequency (RF) processing circuitry. In addition, it is difficult to operate GPS at power substations or in close proximity to high-voltage 60 Hz sources. Symmetricom offers an optional high gain antenna that is useful in these heavy interference situations. Still, it is best to locate the antenna away from radiating sources so you can avoid degradation in antenna performance.



WARNING: Do not cut the cable to a shorter length. Instead, bundle any excess cable. Correct antenna cable length—even if you do not “use it all”—is critical to proper TymServe operation, which should have a gain within the range of 15dB–25dB.

Outdoors: Install the antenna, using the mast and mounting brackets, with a clear view of the sky, and away from radio frequency interference. It should be mounted vertically, in a location with an unobstructed view of 30° of the horizon. Be sure to position it at least two meters from other active receiving antennas, and shield it from transmitting antennas.

Indoors: While Symmetricom does not recommend indoor installations, we understand that this may be the only option available to some customers. In such a case, it is best to temporarily install the antenna along a window to verify performance, before making such a configuration permanent.

Install the antenna by placing it near a window with a clear view of the sky, and away from radio frequency interference. Reflective window coatings will not only reflect sunlight, but the GPS signal as well. You can expect lower performance if you have reflective or heavy tinting on your office windows.

Cable Signal Losses

The following table summarizes the calculated signal losses for different types and lengths of cables you can use with the antenna.

NOTE: For reliable operation of the TymServe, the signal level at the input of the TymServe must be between 15dB and 25dB.

Table 2-3: GPS Cable Configuration/Signal Losses

Component Description (dB)	Cable Length ¹					
	50 ft ²	100 ft	200 ft	300 ft	400 ft	500 ft
Standard Bullet Antenna (dB)	35	35	35	35		
Hi Gain Antenna (dB)					50	50
Internal GPS Cable (dB)	-0.5	-0.5	-0.5	-0.5	-0.5	-0.5
SMA to N Adapter Cable (dB)		-0.5	-0.5	-0.5	-0.5	-0.5
Bias T (DC Block) (dB)					-1.0	-1.0
Belden 8240 Standard RG 58 (dB)	-9.5					
Belden 9913 Cable (dB)		-5.6	-11.2	-16.8	-22.4	-28.0
Gain at Receiver (dB)	25	28.4	22.8	17.2	25.6	20.0

¹For cable lengths >500 feet, contact Symmetricom

²Standard Cable

Cable Installation: Non-GPS

For a Tymserve that does not use GPS as a time source, there are two options.

IRIG-B

Use a time code such as IRIG-B, IEEE 1344 IRIG-B, or IRIG-B DCLS. These all synchronize satellite signals. The time code should be generated from a stratum 1 source.

NOTE: If an IRIG code is used that is not IEEE-1344, you will need to add the year information. One example of an IRIG-B code as a time source is illustrated on the next page. Connector J1 (BNC) is used for amplitude modulated IRIG code and P2 (pin 4 and 5) are used for DCLS IRIG-B (9-pin D).

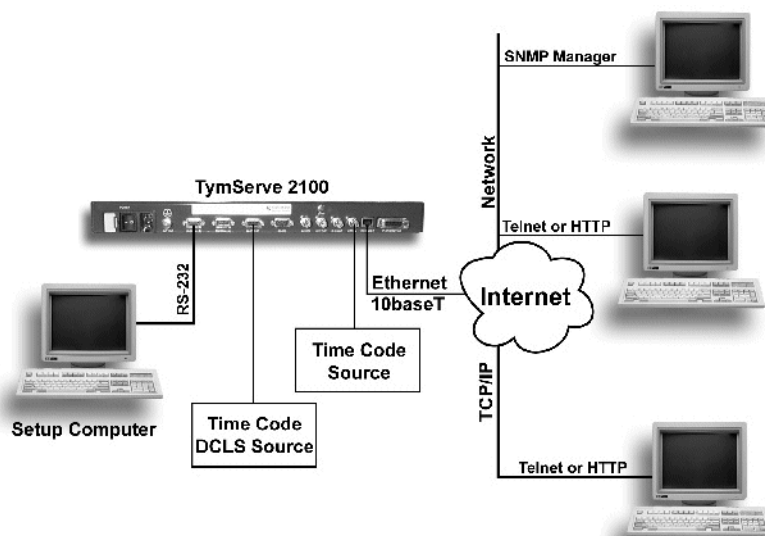



Figure 1-10: A Typical Configuration for TymServe-IRIG

ACTS

A second reference time source is either 1 PPS or ACTS, where 1 PPS source signal is connected to connector PC or GPS I/O (pin 8, 10).

	<p>Warning:</p> <p>When the input source is 1PPS, you must remove the GPS receiver module from the TymServe 2100 chassis if it is so equipped. <i>Failure to do so will cause permanent damage to the receiver module.</i></p> <p>To do this, please contact Symmetricom's TymServe technical support.</p>
---	---

When using ACTS (Automated Computer Time System), the time reference is coming from an analog phone line through a modem, where the modem is connected to Serial Port A of TymServe 2100. The 1PPS and ACTS need not be in operation together.

The following illustration shows the use of ACTS and an external 1 PPS. The 1 PPS is connected to J5 (BNC) and the ACTS is connected to the external modem and the RS-23 cable is connected to P3 (9-pin D). The 1PPS should be generated by a Stratum 1 source.

NOTE: When using 1 PPS, the TymServe is syncing the clock to the pulse of the 1 PPS. Here is a typical configuration for ACTS. For more about ACTS, see [ACTS Interface](#), in Chapter 3.

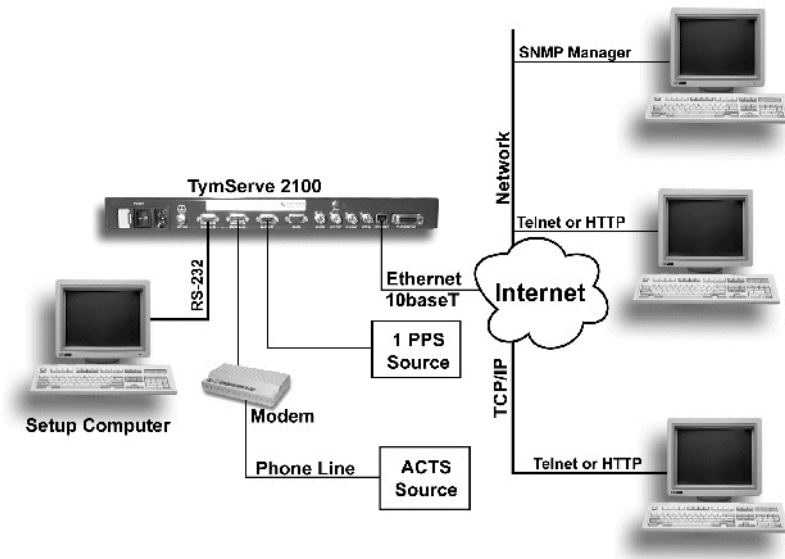


Figure 1-11: A Typical Connection with TymServe 2100 for 1PPS and ACTS

Configuration Methods

There are five access methods for configuring the TymServe:

- Front panel keypad
- RS-232 Serial Port B
- Telnet
- SNMP
- Internet HTTP

Front panel keypad

The front panel keypad ([Figure 1-5 on page 15](#)) has 11 buttons—the 0-9 buttons, and the menu button. A two-line LCD display is associated with the keypad.

The keypad supports very limited functions for some basic configuration actions such as mode, IP address, and network mask. The DHCP client can be activated from the keypad to get the network configuration.

Keypad Modes

There are **two modes** for the keypad: display mode and command mode.

In **display mode**, UTC time and logo Symmetricom TymServe 2100 are displayed.

Also in display mode, you can adjust contrast. Use button 4 to adjust the contrast of the LCD display so that it is lower, use button 9 to make the contrast more pronounced. The contrast can be updated only once per second, corresponding to each press of button 4 or button 9. Press each of these two buttons slowly to see the result of each press.

All other buttons except the menu button have no function in display mode.

The menu button switches the display from display mode to command mode.

In **command mode**, press a button to either execute a command or browse into a directory where a list of commands or a subdirectory is available. See Figure 2-9 to find what commands are available in the **keypad command tree**. Use the menu button to scroll the command lines if the commands are more than two in a directory.

An executed command, in most cases, will prompt you to choose an option. You have a few seconds to make a selection by a specified button. If you go beyond this time frame, the command will not be executed and the system will time out.

Button 0 will switch you back from command mode to display mode.



Warning:

The command is just the word or letters before the first space, not the whole line. For example, if you want to set the timing mode, go to the timing directory, and type in the word MODE, not MODE SET as the command tree shows. The word SET is just a description and actually messes up your command if you use it.

The command tree follows.

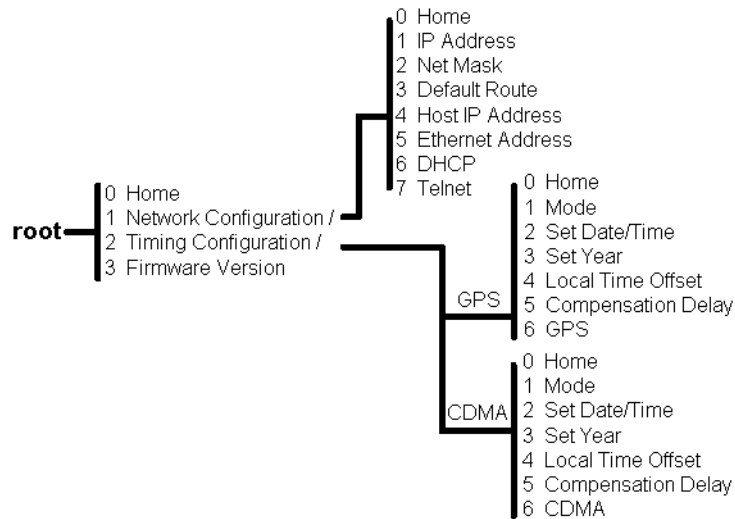


Figure 1-12: Keypad Command Tree

RS-232 Serial Port B

The standard DTE style RS-232, DB9 (female) connector provides the preferred method of initial configuration and setup of the TymServe through a VT100 ASCII terminal using 9600, 8 N, and 1 for communication parameters.

Flow control is accomplished by the use of software Xon/Xoff. This method of access uses the Command Shell explained in [Shell Overview](#), Chapter 4. This access method is not password protected.

Telnet Access

To use the Telnet access, first configure the network parameters, such as IP address, mask, default route, through the RS-232 Serial Port B as explained in the initial setup.

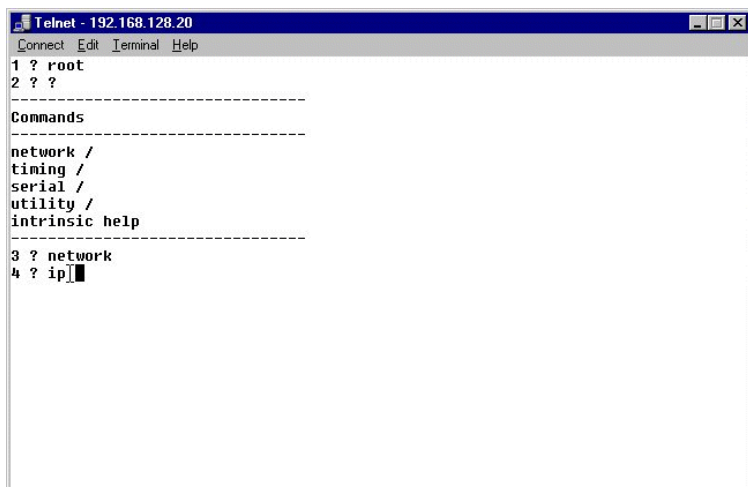
To establish a Telnet connection:

1. At the DOS or Windows command prompt, enter `telnet: <IP address of the Tym-Serve>`.
2. Press **Enter**.

An alternative is to use any of the standard Telnet utilities. Navigating the Telnet command session is identical to the method used by the RS-232 access method.

The figure to the right shows a Telnet session.

The Telnet interface can be password protected. The password can be disabled only through the RS-232 Serial Port. If the user forgets the Telnet password, then it must be changed through the RS-232 port. Telnet access uses port 23. The TymServe allows only one Telnet session at a time.



```
Telnet - 192.168.128.20
Connect Edit Terminal Help
1 ? root
2 ? ?
-----
Commands
-----
network /
timing /
serial /
utility /
intrinsic help
-----
3 ? network
4 ? ip|
```

Figure 1-13: Telnet Session in Progress

If the unit is not disconnected properly, the previous Telnet session will be timed out and disconnected after one hour.

To disconnect the Telnet session:

1. In the command line, enter `exit`.
2. Press **Enter**.

The Telnet interface can be further protected by disabling the Telnet Server daemon. Refer to the `auto` and `stop` commands in [Command Descriptions](#), Chapter 4, for more details.

SNMP Access

The TymServe provides various remote features like configuration, status, and management control through the Simple Network Management Protocol, SNMP version 1 (RFC 1157). In order to use SNMPv1, set and request packets. The network parameters must be configured through RS-232 or Telnet. Once the network parameters are set, the packets can be sent to configure the operating mode of the unit. [Chapter 5: SNMP Configuration and Control](#), and [Appendix D: Symmetricom MIB Extension](#), both cover the Symmetricom MIB Extension, MIB compilation, and security aspects of SNMP.

Internet HTTP Access

The basic operating status of the TymServe can be viewed from the HTML custom page over the HTTP protocol, by entering the IP address of the TymServe on the network as shown in the figure here. The status screen also provides the time of the local host.

This access shows the satellites that your TymServe is tracking.

NOTE: For security purposes, there is no management from this screen. Only information is displayed.

If an HTTP page shows “unknown mode”, it means you are in a different mode.

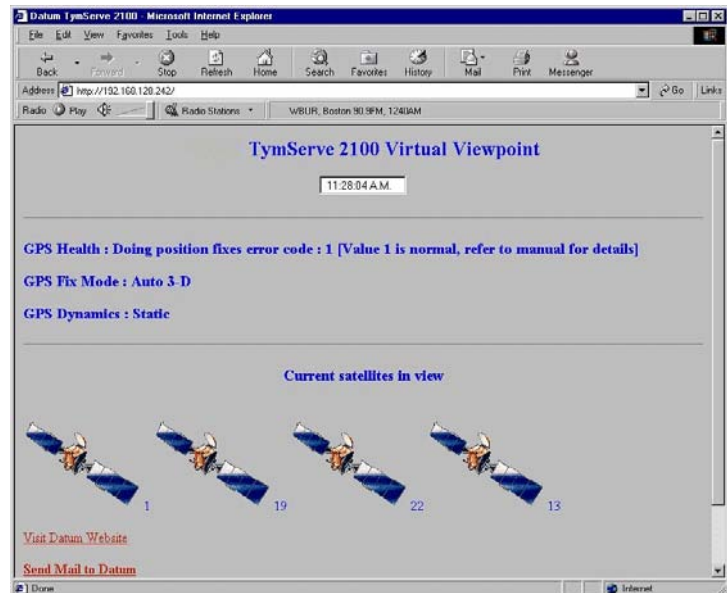


Figure 1-14: Satellites Overhead

Chapter 3: TymServe 2100 Operation and Time-Related Protocols

In This Chapter

This chapter describes server operation and time-related protocols.

TymServe Operation

TymServe and Time Distribution

Time is distributed over an IP network by Network Time Protocol (NTP), Simple Network Time Protocol (SNTP), Time Protocol, and Daytime Protocol over TCP/IP or through a Sysplex Timer via Serial Port A.

Once the TymServe is locked with its time source, it will continuously provide time even if the timing signal is lost. When the GPS time signal is lost, the Tracking and Locked lights will turn off, and the unit will run in the Freerun mode, meaning it will maintain the time with its own internal clock. The NTP message returned by the TymServe will indicate—via the Reference Timestamp—when it last obtained time updates from the timing signal.

The TymServe maintains the year value as a four-digit number. It also recognizes leap years.

TymServe and Client Software

Client software should be installed on the client machines before the NTP daemon can maintain the time synchronization with the TymServe.

The clients that need to be synchronized should be running a copy of the public domain NTP daemon or other equivalent client software. If an NTP daemon is not available on your system, you can obtain a copy of RFC 1119 from the Network Information Center (NIC) via FTP, in order to implement an NTP daemon for your system. Details of the NTP protocol and synchronization techniques are not discussed in this *User Guide*, but can be found at:

- <http://www.ietf.org/rfc/rfc1305.txt>
- <http://www.ntp.org>

TymServe and the Global Positioning System

The Global Positioning System (GPS) receiver in your TymServe tracks the 24 GPS satellites as they pass overhead during the day.

The TymServe also determines the range of the satellite in relation to its antenna. There are four unknowns about location of the satellite, and what they roughly represent, which when resolved will help you position the TymServe antenna:

- x, or latitude
- y, or longitude
- z, or altitude
- t, or time

Knowing the range from one satellite places you on a sphere. Two satellites show the intersection of two spheres, roughly a circle. Three satellites show two points. And four satellites show the complete four-variable solution.

However, once x, y, and z are known, only one satellite is needed to solve for time (t). This is due to one of the following: either the receiver has tracked at least four satellites and has positioned itself, or the user has entered a known position into the TymServe.

Thus the TymServe antenna still works—and TymServe can still source time—in areas with a somewhat restricted view of the sky, such as in cities.

Time Distribution Model

Network time distribution systems usually use a hierarchical time distribution model, as illustrated in this figure:

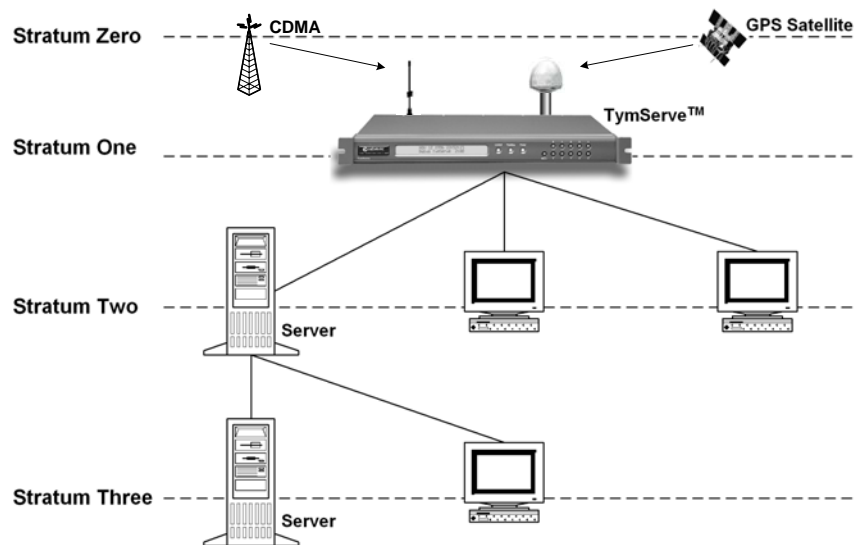


Figure 3-2 Time Distribution Hierarchy

In hierarchical systems, the primary time source clocks are considered Stratum 0 (zero) which includes GPS satellites and time sources at the United States Naval Observatory (USNO), National Institute of Standards and Technology (NIST), or other national time standards organizations.

The TymServe acts as a Stratum 1 time server that derives its time from the GPS satellites and distributes this time through TCP/IP network or Sysplex Timer to the computers. The client computers may act as Stratum 2 time servers and distribute time to Stratum 3 computers as shown above.

Time Protocols

Time Protocol (RFC 868)

This protocol provides a site-independent, machine-readable date and time. The time service on the TymServe responds to the originating source with the time in seconds since midnight of January 1, 1900. The time is the *number of seconds* since 00:00 (midnight)

January 1, 1900 GMT. So the time “1” is 12:00:01 A.M. on January 1, 1900 GMT. This base will serve until the year 2036.

If the server is unable to determine the time, it either refuses the connection or it closes the connection without sending any response.

When used over the Transmission Control Protocol (TCP), the TymServe listens for a connection on port 37; once the connection is established, the server returns a 32-bit time value and closes the connection. When used over the User Datagram Protocol (UDP), the TymServe listens for a datagram on port 37. When a datagram arrives, the TymServe returns a datagram containing the 32-bit time value.

Daytime Protocol (RFC 867)

The Daytime protocol sends the current date and time as a character string without regard to the input.

When used over TCP, the TymServe listens for a connection on port 13; once a connection is established the current date and time is sent out as an ASCII character string. The service closes the connection after sending the quote.

When used over UDP, the TymServe listens for a datagram on port 13. TymServe responds to the UDP request with the current date and time as an ASCII character string.

Simple Network Time Protocol (RFC 1361/2030)

Simple Network Time Protocol (SNTP) is a simplified access protocol for servers and clients using NTP as it is now used on the Internet. The access paradigm is identical to the UDP/Time client implementation. SNTP is also designed to operate on a dedicated server configuration, including an integrated radio clock. SNTP uses the standard NTP time stamp format described in RFC 1305 and previous versions of that document. NTP stamps are represented as a 64-bit unsigned, fixed-point number, in seconds relative to 0^h on January 1, 1900.

Network Time Protocol (RFC 1305 and RFC 1119)

The Network Time Protocol (NTP) is used to synchronize computer clocks in the TCP/IP computer network. It provides a comprehensive mechanism for accessing national time and frequency distribution services, for organizing the time-synchronization subnet, and for adjusting the local clocks. NTP provides accuracy of 1-10 milliseconds (ms), depending on the jitter characteristics of the synchronization source and network paths. NTP is a client of the User Datagram Protocol (UDP), which itself is a client of the Internet Protocol (IP).

Some definitions follow. For more terms, see the glossary in Appendix E of this *User Guide*.

NTP Data Format

The format of the NTP message data area, which immediately follows the UDP header, is shown in Figure 3-2. NTP time stamps are represented as a 64 bit unsigned fixed-point

number, in seconds relative to 0^h on 1 January 1900. The integer portion is in the first 32 bits and the fraction portion is in the last 32 bits.

Table 1 - 1: NTP Message Data

0	8	16	24	31
LI	VN	MODE	Stratum	Poll
Synchronizing Distance (Root Distance) (32 bits)				
Synchronizing Dispersion (Root Dispersion) (32 bits)				
Reference Identifier (32 bits)				
Reference Time Stamp (64 bits)				
Originate Time Stamp (64 bits)				
Receive Time Stamp (64 bits)				
Transmit Time Stamp (64 bits)				
Authenticator (Optional) (96 bits)				

Leap Indicator (LI)

This is a two-bit code warning of an impending leap second that will be inserted or deleted in the last minute of the current day, with bit 0 and bit 1, respectively, coded as follows:

00:	No warning
01:	Last minute has 61 seconds
10:	Last minute has 59 seconds
11:	Alarm condition (clock not synchronized)

You are alerted to an alarm condition when the TymServe is first powered on—in other words, before time is initially acquired from the timing signal. An alarm condition will also signal when the timing parameters are changed. This alarm condition will persist until the TymServe acquires time. It should not signal again until the unit is powered off and on.

Version Number (VN)

This is a three-bit integer indicating the NTP version number. The TymServe will return the version number from the incoming NTP message.

Mode

This is a three-bit integer indicating the mode. For the TymServe this field is set to four indicating the server mode. The TymServe always operate in server mode, which means that it will synchronize clients but will never be synchronized by clients.

Stratum

This is an eight-bit integer indicating the stratum level of the local clock. For the TymServe this field is set to one indicating a primary reference.

Poll Interval

This is an eight-bit signed integer indicating the maximum interval between successive messages, in seconds to the nearest power of two. The TymServe will return the poll interval from the incoming NTP message.

Precision

This is an eight-bit signed integer indicating the precision of the local clock, in seconds to the nearest power of two. For the TymServe this field is set to -19 (minus nineteen) which is the value closest to the 1u sec precision of the TymServe.

Synchronizing Distance (Root Distance Version 3)

This is a 32-bit fixed-point number indicating the estimated round-trip delay to the primary synchronizing source, in seconds with fraction point between bits 15 and 16. Set to zero in the TymServe.

Synchronizing Dispersion (Root Dispersion Version 3)

Synchronizing Dispersion is a 32 bit fixed-point number indicating the estimated dispersion to the primary synchronizing source, in seconds. Root Dispersion indicates the maximum error relative to the primary reference source.

Reference Clock Identifier

This is a 32-bit code identifying the particular reference clock. In the case of Stratum 1 (primary reference), this is a four-octet, left justified, zero-padded ASCII string. For the TymServe the four-octet string is dependent on the time source selected, 'GPS' for GPS and 'FREE' for Free Running Clock.

Reference Timestamp

This is the local time at which the local clock was last set or corrected, in 64-bit timestamp format. With the TymServe, the Reference Timestamp is the last time that a valid timing signal was detected. Therefore, the Reference Timestamp will indicate the time at which the timing signal was lost. When the timing signal returns, the Reference Timestamp will be updated.

Originate Timestamp

This is the local time at which the request departed the client host for the service host, in 64-bit time stamp format.

Receive Time stamp

This is the local time at which the request arrived at the service host, in 64-bit time stamp format.

Transmit Time stamp

This is the local time at which the reply departed the service host for the client host, in 64-bit time stamp format.

Authenticator

This field is used to hold a checksum if authentication has been enabled. Refer to the next section for more information about this mechanism.

NTP Authentication

NTP authentication enables an NTP client to ensure two things: that the time stamp received has come from a trusted source, and that it has not been modified in transit. Because Symmetricom has extended the authentication method, you can use it to deny service to unauthorized clients who submit NTP time stamp requests.

The NTP protocol includes space for two variables related to authentication: an authentication key identifier field and a checksum field.

Authentication Mechanism

The mechanism used to generate the authentication data must be shared by the client and the server. The popular public domain implementation of NTP, known as xNTP, allows for the use of either Digital Encryption Standard (DES) or Message Digest version 5 (MD5). Export restrictions on certain cryptographic techniques means the TymServe supports only the MD5 encryption algorithm. MD5 provides an adequate level of security for NTP transmissions.

MD5 is a one-way hash function that processes the input data and produces 128 bits (16 bytes) of hash value. This checksum is then placed in the packet. Since the data itself is not encrypted, anyone could theoretically capture the packet, modify the data, and put a new checksum into the packet. However, Symmetricom has made the checksum secure by loading a secret key into the MD5 algorithm before the NTP data is loaded. The result: a checksum that cannot be reproduced without the knowledge of the secret key.

Programming and Storage of the Key Identifier/Key Pair

The TymServe allows for the programming and storage of four key identifier/key pairs. Although it is possible to have over four billion keys, four are sufficient for TymServe because it has only one level of access—requesting time stamps.

While there are only four key identifier/key pairs, the key identifiers themselves can have any value between 1 and 4,294,967,296. The format of the MD5 secret key is based on the approach taken by the public domain xNTP package. The key is an eight-character alphanumeric string. This key identifier/key pair is stored in a flash EPROM and need only be programmed once.

Public Domain xNTP Package

For clients not using the public domain xNTP package, the NTP packet is enlarged by 8 bytes to handle the entire checksum, which is 16 bytes (128 bits) in size as generated by the MD5. Since this field is the last in the packet, it should not present any difficulty.

NTP Authentication-Only

The NTP authentication-only mechanism is an added feature in the TymServe and not part of the NTP specification as detailed in RFC 1305. It prevents unauthorized access to the TymServe, making it unnecessary for you to adapt the authentication mechanism yourself for security or administration purposes.

How NTP Defines the Authentication Process

If authentication is enabled, and a valid authentication key identifier and cryptochecksum is received, then the NTP packet is filled in and a new cryptochecksum is computed and added to the packet. The packet is then sent back to the client.

How TymServe Uses NTP Authentication Only

However, if authentication is enabled and an authentication failure occurs, then the NTP packet is still returned but will contain no authentication data. The reasons this failure occurs is usually because the key identifier is 0—which is defined as no encryption—or because the cryptochecksum is invalid.

If NTP authentication has been enabled, and you enable the NTP Authentication Only mode, the TymServe will discard any incoming NTP packet which does not contain both a valid key identifier not equal to 0 and a valid cryptochecksum. In this way, you can limit access to the TymServe to only those clients who have been given the key identifier/secret MD5 key pair.

Sysplex Timer

“Sysplex” means SYSTEM comPLEX, a term often used to describe continuous computing on clusters of computers. The Sysplex Timer is sometimes called an External Time Reference (ETR). The Sysplex Timer provides a synchronized Time-of-Day (TOD) clock for multiple attached computers. A Sysplex is needed when two or more systems are configured in a Sysplex. One Sysplex Timer can do the job, but it’s a good idea for you to have a second duplex timer on the cluster as a backup in case the primary timer fails.

How TymServe Uses the Sysplex Timer

TymServe receives the signal from the GPS antenna, then provides Sysplex Timer output through its Serial Port A. The Serial Port A supplies an ASCII broadcast of UTC time that is often used by computers that cannot or do not use NTP.

Be sure your computer is set up with the correct Serial Port parameters—the correct baud rate, data bits, stop bits, and parity. The Serial Port will start broadcasting the time only after it receives a **c** or **C** character. It will stop broadcast when it receives an **r** or **R** character.

NOTE: If you set the Sysplex Timer to **Auto on** the Sysplex Timer starts automatically on power up.

The following time information string is transmitted once per second, when started with the **c** or **C** character. The **DDD** field represents three ASCII digits of days (001–366). The **Quality Indicator** indicates the validity of the time. The **Carriage Return** character is

transmitted on-time. The first rising edge of the Carriage Return character occurs within 200 nanoseconds after the TymServe 1PPS signal transitions from low to high.

(SOH)DDD:HH:MM:SSQ(CR)(LF)	
Field	Description
(SOH) (0x01)	ASCII Start of Header
DDD	Day of year
HH	Hours (24-hour clock)
MM	Minutes
SS	Seconds
Q	Quality Indicator (space = normal operation)
(CR) (0x0D)	ASCII Carriage Return (transmitted on-time)
(LF) (0x0A)	ASCII Line Feed
Quality Char	Description
space	Normal operation, time set and not flywheeling
X	Time not set yet
F	Time was set, but currently flywheeling

ACTS Interface

The Automated Computer Time Service (ACTS) was created by the U. S. National Institute of Standards and Technology (NIST).

ACTS Operation

ACTS provides a backup time service through an ASCII time broadcast, and supports a measured delay mode for enhanced accuracy. This service is based on the use of asynchronous modems attached to the TymServe 2100 at Serial Port A. It also supports Digital ISDN terminal adapters. And it is designed to coexist with a standard IRIG-B time code input.

ACTS is designed to operate in either manual or automatic mode. It operates with analog modems running over POTS, and digital terminal adapters running over ISDN. A nonvolatile initialization string is available to configure almost any type of asynchronous communications device for use with ACTS.

Also, ACTS uses software flow control (Xon/Xoff) instead of RTS/CTS hardware flow control. As a result, configure your modem or adapter according to these parameters:

Line speed:	9600 bps
Data format:	Eight word bits, no parity bit, one stop bit (8/N/1)
Flow control:	XON/XOFF (software)
Data:	V.120 data (ISDN only)
DIP Switches:	Switches 2 and 6 should be in the UP position Switches 1, 4, and 5 should be in the DOWN position

Here is an example initialization string from one TymServe session:

Analog Modem:

U.S. Robotics 56K V.92 External Data/Fax Modem

Model: USR5686E (AT&H2&N6)

Digital ISDN Terminal Adapter:

Motorola BitSurfr Pro or British Telecom Ignition

(AT%A4=0%A2=2&MO\Q1)

ACTS Phone Numbers

Program these ACTS phone numbers into your TymServe so that it may call ACTS:

- Colorado: (303) 494-4774
- Hawaii: (808) 335-4721

TymServe and ACTS

The TymServe's ACTS operation includes simultaneous support of both client and server modes. This means the TymServe can obtain time information from a remote site through an ACTS client connection while providing server capabilities such as distributing time information to local clients or other TymServe units. ACTS will operate whether you select an internal or external oscillator.

ACTS is designed to co-exist with standard IRIG-B time code input. While services are available, an ACTS client call will not modify the TymServe clock if the unit is currently decoding a valid time code signal.

If NIST is the only time source, TymServe should operate in Freerun mode.

In ACTS manual mode, the **NIST** command is used to force a manual client call to a remote ACTS server. In ACTS automatic mode, the TymServe will periodically call a remote server to check its time base. Two servers may be specified, in which case the TymServe will switch to the alternate service in the event the primary service is unavailable. The period for calling is programmable in one-hour intervals with values from 1–99 supported.

Chapter 4: Command Shell and Command Descriptions

In This Chapter

This chapter reviews the command shell and defines commands.

Shell Overview

Command Shell is a command line interface accessible through Serial Port B or Telnet. It is a multiple level tree where the input is entered as a command in the form of ASCII strings typed at the command prompt. The ready state of the command shell is an ASCII “?” (question mark) prompt. The specific commands available at a particular tree level can be displayed by entering a `<? Enter>` at the “?” prompt. A complete command shell tree is in [Figure 1-1 on page 43](#).

**Warning:**

The command is just the word or letters before the first space, not the whole line. For example, if you want to set the timing *mode*, go to the timing directory, and type in the word MODE, not MODE SET as the command tree shows. The second word is just a description and actually prevents execution of the command if you use it.

A CR-LF, CR, or LF sequence terminates all entered ASCII commands, depending on the translation setting in the serial configuration subdirectory. The command interface interprets the input on a character-by-character basis. As a result, only enough characters to uniquely identify the command need to be entered for the command interface to recognize which action you want performed. The command interface also accepts multiple commands on a single line when they are separated by spaces, so you don't have to press **Enter** after each command.

Maximum buffer size is 128 bytes.

The commands are categorized into three types:

- **Level command** Available at the root level and have a forward slash (/) following the command string
- **Action command** Show the current setting or set new parameters when executed with the corresponding parameter
- **Intrinsic command** Available at any level of the system

Command Description

The command shell is case sensitive so commands should be entered as they are described here.

The commands are divided into the following categories:

- Network
- Timing
- Serial
- Utility
- Intrinsic help

There may be multiple entries of the input parameters for each command. Each entry corresponds to one of the allowable input parameters. If multiple parts are shown in the command menu, then type the first part of each command. Otherwise the following parts will be treated as input parameters, which may cause some confusion. For example, if you enter file name `ts21.hex` instead of file `ts21.hex` the TymServe will set the file name to be **name** and `ts21.hex` will be ignored, and incorrect configuration could result.

The commands can be accessed by RS-232 (Command Shell), Telnet (Command Shell), or SNMP (SNMP Management Software Interface). The command tree follows.

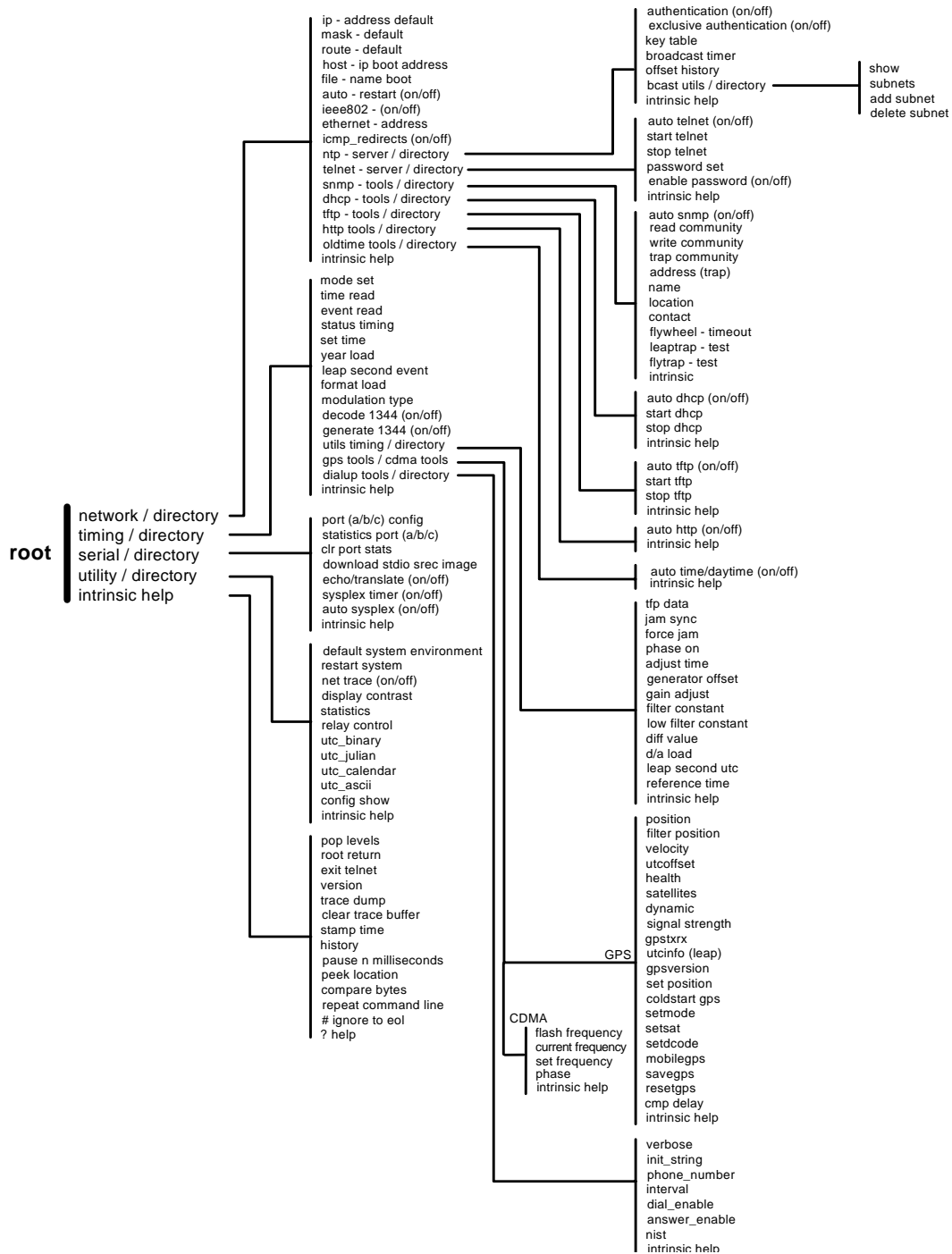
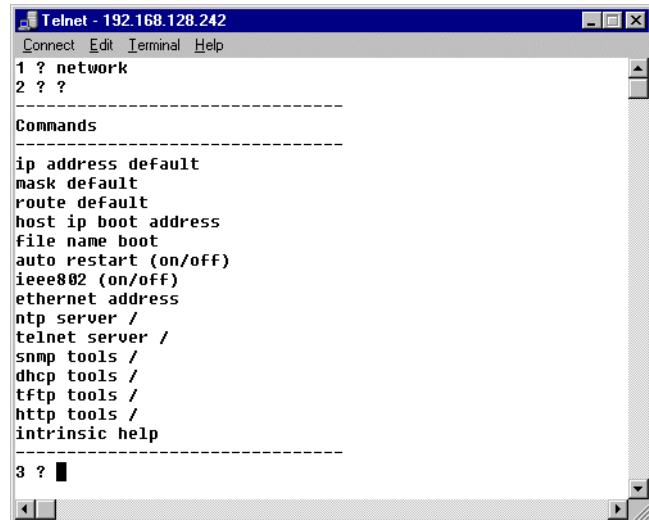


Figure 1-1: Serial/Telnet Command Tree

Network Directory

Typing `network` and pressing **Enter** under the root directory gets you into the network directory.

NOTE: The format of the commands below is: **prompt** <command> (environment able to use command).

A screenshot of a Telnet window titled "Telnet - 192.168.128.242". The window has a menu bar with "Connect", "Edit", "Terminal", and "Help". The main area shows a list of commands: "1 ? network", "2 ? ?", "-----", "Commands", "-----", "ip address default", "mask default", "route default", "host ip boot address", "file name boot", "auto restart (on/off)", "ieee802 (on/off)", "ethernet address", "ntp server /", "telnet server /", "snmp tools /", "dhcp tools /", "tftp tools /", "http tools /", "intrinsic help", "-----", "3 ?". The cursor is at the end of the third line.

```
Telnet - 192.168.128.242
Connect Edit Terminal Help
1 ? network
2 ? ?
-----
Commands
-----
ip address default
mask default
route default
host ip boot address
file name boot
auto restart (on/off)
ieee802 (on/off)
ethernet address
ntp server /
telnet server /
snmp tools /
dhcp tools /
tftp tools /
http tools /
intrinsic help
-----
3 ?
```

Figure 1-2: Network Commands

Network Commands

The commands in this directory provide network configuration options, and some network server daemons and tools are available in the directory.

ip <xxx.xxx.xxx.xxx> (RS-232, Telnet)

Queries or sets the network IP address of the TymServe in dotted quad notation. This variable can also be set automatically using the automatic DHCP function. If this value is changed using a Telnet session, the connection will be lost and a new connection will need to be started using the new address. The network interface will be restarted after successful storage of the new parameter in nonvolatile memory.

mask <xxx.xxx.xxx.xxx> (RS-232, Telnet)

Queries or sets the network IP mask address of the TymServe in dotted quad notation. This variable can also be set automatically using the automatic DHCP function. If this value is changed using a Telnet session, the connection will be lost and a new connection

will need to be started. The network interface will be restarted after successful storage of the new parameter in nonvolatile memory.

route <xxx.xxx.xxx.xxx> (RS-232, Telnet)

Queries or sets the network IP default route address of the TymServe in dotted quad notation. This variable can also be set automatically using the automatic DHCP function. If this value is changed using a Telnet session, the connection will be lost and a new connection will need to be started. The network interface will be restarted after successful storage of the new parameter in nonvolatile memory.

host <xxx.xxx.xxx.xxx> (RS-232, Telnet, SNMP)

Queries or sets the network TFTP server address for the TymServe in dotted quad notation to be used for downloading the new firmware. This variable can also be set automatically using the automatic DHCP function.

file <file name> (RS-232, Telnet, SNMP)

Queries or sets the filename of the firmware image which will be requested during a TFTP session to download new firmware. This filename can also be set automatically using the automatic DHCP function. This is used for upgrading the FLASH EPROM, which contains the TymServe operating code. This function is not necessary for normal operation of the unit. By default the file name is set to:

TS2100 IRIG - ts21.hex

TS2100 GPS - ts21.hex

auto <on or off> (RS-232, Telnet, SNMP)

Queries or sets the auto restart mode. This function is used to control the operation of the TymServe after new firmware downloads. If this mode is enabled, the TymServe will reboot after a successful download and storage of a new version of operating firmware. This will allow the TymServe to begin using the new firmware immediately. If this mode is disabled, the TymServe must be rebooted or power cycled to load the new firmware into RAM.

Auto restart mode:

On = restart after successful firmware updates

Off = do not restart after successful firmware updates

ieee802 <on or off> (RS-232, Telnet)

Queries or sets the network frame header type. The default type is off which means that DIX packet headers are used. 99% of TCP/IP based networks use DIX packet headers. Do not change this parameter unless you are certain that the packet format should be changed. If this parameter is changed improperly, the RS-232 access method will have to be used to reset this value.

Frame type parameters used by the network interface:

Off = use Ethernet DIX packet headers.

On = use IEEE 802.2 packet headers.

ethernet (RS-232, Telnet, SNMP)

Queries the hardware Ethernet address. This value is used for definitions of the TymServe recorded in BOOTP or DHCP servers. This value is a unique identifier that is programmed at the factory.

icmp_redirects <on or off> (RS-232, Telnet, SNMP)

This command allows the user to disable the processing of icmp redirects. This feature is provided for security purposes.

NTP Server Directory

Typing `ntp` and pressing **Enter** under **network directory** gets you into the NTP directory, which carries these NTP configuration commands.

authentication <on or off> (RS-232, Telnet, SNMP)

Sets the NTP daemon up to use the standard NTP authentication mechanism defined in RFC 1305, which provides a way to restrict access to TymServe. For more details about this mode, see [NTP Authentication on page 37](#).

NTP authentication mode:

Off = disabled

On = enabled

exclusive <'on' or 'off'> (RS-232, Telnet, SNMP)

Sets the NTP daemon up to use the standard NTP 'exclusive' authentication mode, which provides a way to further restrict access to TymServe in addition to authentication defined in RFC 1305. For more details about this mode, see [NTP Authentication on page 37](#).

NTP 'exclusive' authentication mode:

Off = disabled.

On = enabled

key (RS-232, Telnet, SNMP)

This function is used to query or set the NTP authentication key pairs. For more details about this mode, see [NTP Authentication on page 37](#) or the RFC 1305 for complete details of the use of these keys. Due to export restrictions, only MD5 authentication is supported. Also, to maintain compatibility with the public domain xNTP implementation of the NTP protocol, only ASCII character sequences can be used as authentication keys.

The <enter> at the key entry prompt => will display the 1-5 keys entries in the form => keynbr key

Where: keynbr is the NTP authentication key ID key is the 1-8 character MD5 key (ASCII only).

The fields will be blank if no key is stored. New keys can be entered using the same format as shown in this graphic. Entering a blank line will terminate the key entry prompt session.

```

Telnet - 192.168.128.242
Connect Edit Terminal Help
4 ? ?
-----
Commands
-----
authentication (on/off)
exclusive authentication (on/off)
key table
broadcast timer
offset history
bcast utils /
intrinsic help
-----
5 ? key
0x0 => 1 2
0x0 => 2 34
0x0 => 3 456
0x0 => 4 5678
0x0 => 5 67890
6 ? key
0x1 2 =>
0x2 34 =>
0x3 456 =>
0x4 5678 =>
0x5 67890 =>

```

Figure 1-3: Key Commands

broadcast (RS-232, Telnet)

Selects or queries the state of the NTP broadcast mode (NTP mode 5). If this mode is enabled, the TymServe will broadcast a NTP broadcast packet to the local subnet every specified number of seconds. This mode of operation has no impact on the standard NTP client/server mode. Regardless of the state of the NTP broadcast mode, the TymServe will respond to client request packets with server packets.

NTP broadcast mode (NTP mode 5):

0 = disable broadcast

Any Positive Integer 'x' = enable broadcast every 'x' seconds of time interval

The actual time interval used by NTP broadcast is the value that is calculated by rounding down or equal to the value of 'x' to the closest value of power of 2. For example, input of 10 sets time to 8 which is 2 to the power 3. Therefore, the actual time interval settings are 1, 2, 4, 8, 16, 64, and so on.

offset (RS-232, Telnet)

Queries an offset record of a NTP client. The TymServe creates a hash table at startup and continually adds and updates entries regarding NTP clients who submit NTP client mode packets. This function is useful for debugging purposes but is not required for normal operation. The values are based on data in the client request and do not include network latencies.

Statistic information of NTP clients includes:

- Packet count
- Maximum offset
- Last offset
- 10-sample rolling average

NTP Broadcast Directory

Typing `bcast` then pressing **Enter** under `ntp directory` gets you into the NTP broadcast directory. This directory contains commands that allow up to 32 broadcast addresses (subnets) to receive ntp broadcasts from the TymServe. If the broadcast command in the ntp subdirectory has been set to a non-zero value, ntp broadcast messages will be sent to the broadcast addresses entered here.

NOTE: All new commands operate on broadcast addresses, not subnet addresses. This is required because different broadcast address schema exist and the programmed broadcast address must agree with the broadcast address for the particular subnet programmed into the gateway or router which will deliver the packets.

show

Displays the currently programmed subnet broadcast addresses.

add <xxx.xxx.xxx.xxx>

Adds a ntp broadcast subnet to non-volatile storage.

NOTE: To configure ntp broadcasts to be sent on the local subnet, the value 255.255.255.255 must be used. This corresponds to the local broadcast address in the internal routing tables of the TymServe.

delete <xxx . xxx . xxx . xxx>

Deletes a broadcast subnet from non-volatile storage.

Telnet Server Directory

Typing `Telnet` and pressing **Enter** under **network directory** gets you into the Telnet directory. This directory provides Telnet configuration commands.

auto <on or off> (RS-232, Telnet)

Select or query the state of the automatic Telnet server mode. If this mode is enabled, the TymServe will be ready to accept Telnet client after powering up. Otherwise, no Telnet connection will be allowed. Note that only one Telnet session is allowed at a time.

start/stop (RS-232, Telnet)

The `start` command is used to manually start a currently disabled Telnet server. The `stop` command is used to disconnect a currently running Telnet session gracefully or disable Telnet server for the security reasons. Telnet session automatically terminates after an hour of idle time when there is no activity. The length of time for automatic termination is not configurable. The intrinsic command `trace` can be used to view the status of a Telnet session.

password <*user selected password*> (RS-232, Telnet)

This command is used to restrict Telnet access to the TymServe. The use of a password for Telnet access can be enabled or disabled from the same subdirectory. Telnet password is transmitted in an un-encrypted format, therefore, the security provided by this feature is just to discourage the casual users. If a password set previously is forgot, this command can be used to retrieve the password in the shell through a serial connection.

enable <on or off> (RS-232, Telnet)

This command allows the user to restrict Telnet access to the TymServe to those users who know the password. Setting of the password can be accomplished using the `password` command available in the same sub-directory. Parameters: `On` or `Off` enables or disables the Telnet password.

SNMP Tools Directory

Typing `snmp` and pressing **Enter** under **network directory** enters the SNMP directory. It carries SNMP configuration commands.

Auto <on or off > **(RS232, Telnet)**

Select or query the state of the automatic SNMPv1 client. If the mode is enabled, the TymServe will be ready to accept SNMPv1 communication after powering up. Otherwise, no connection will be allowed.

If you wish to turn off SNMP after it has been ON, do the following:

1. Go to Network/snmp-tools.
2. Disable (select OFF) "Auto" snmp.
3. Delete all community names, and delete the trap address.

read <read community name> **(RS-232, Telnet)**

Queries or sets the SNMPv1 'read community name'. The default value for this variable is the ASCII string 'public'. The input could be any ASCII string with 1-40 characters. This is an industry standard community name and represents a possible security risk, therefore, this variable should be changed.

write <write community name> **(RS-232, Telnet)**

Queries or sets the SNMPv1 write community name. The default value for this variable is the ASCII string private. The input could be any ASCII string with 1-40 characters. This is an industry standard community name and represents a security risk. Query displays the current community name or blank line if it is not configured.

trap <trap community name> **(RS-232, Telnet)**

Queries or sets the SNMPv1 trap community name. The default value for this variable is the ASCII string 'Symmetricom.' The input could be any ASCII string with 1-40 characters. Query displays current community name or blank line if it is not configured.

Example:

The following example enables the router to send all traps to the host specified by the name "myhost.com", using the community string defined as "public":

address <xxx.xxx.xxx.xxx> **(RS-232, Telnet)**

Queries or sets the ip address of the SNMPv1 management console in dotted quad format that should receive any trap messages generated by the TymServe. The default value is 0.0.0.0, which the TymServe will interpret to mean that trap messages should not be transmitted.

name <sysName> (RS-232, Telnet, SNMP)

Queries or sets the MIB-II variable `sysName` value as a ASCII string. This string is stored in nonvolatile memory and is most often used to provide a unique identifier to SNMPv1 management consoles. The input could be any ASCII string with 1-40 characters. The default value for this variable is a null string (blank).

location <sysLocation> (RS-232, Telnet, SNMP)

Queries or sets the MIB-II variable `sysLocation` value. The input could be any ASCII string with 1-40 characters. This string is stored in nonvolatile memory and is most often used to identify the location installation of a network device to SNMPv1 management consoles. The default value for this variable is a null string (blank).

contact <sysContact> (RS-232, Telnet, SNMP)

Queries or sets the MIB-II variable `sysContact` value. The input could be any ASCII string with 1-40 characters. This string is stored in nonvolatile memory and is most often used to identify the technical or administrative contact for a particular network device to SNMPv1 management consoles. The default value for this variable is a null string (blank).

Use the `set snmp contact` command.

flywheel command**flywheel SNMPv1** <flywheeling trap> (RS-232, Telnet, SNMP)

Queries or controls the generation of the SNMPv1 flywheeling trap. The new value is between 0-86400, where 0 indicates that a trap should not be sent and any other allowed value indicates the alarm value. The decimal number indicating the number of seconds after the reference timing signal is lost before a SNMPv1 trap message will be sent.

DHCP Tools Directory

Typing `dhcp` and pressing **Enter** displays the DHCP directory as shown in this graphic, which carries commands to start or stop DHCP manually and command to enable or disable automatic DHCP when system powers up.

auto <on or off>

(RS-232, Telnet, SNMP)

Select or query the state of the automatic DHCP mode. If this mode is enabled, the TymServe will attempt to download new network parameters from a DHCP server after every reboot.

For DHCP sessions, the DHCP server must be programmed with the Ethernet address of the TymServe which can be obtained using the 'ethernet' command in the network sub-directory.

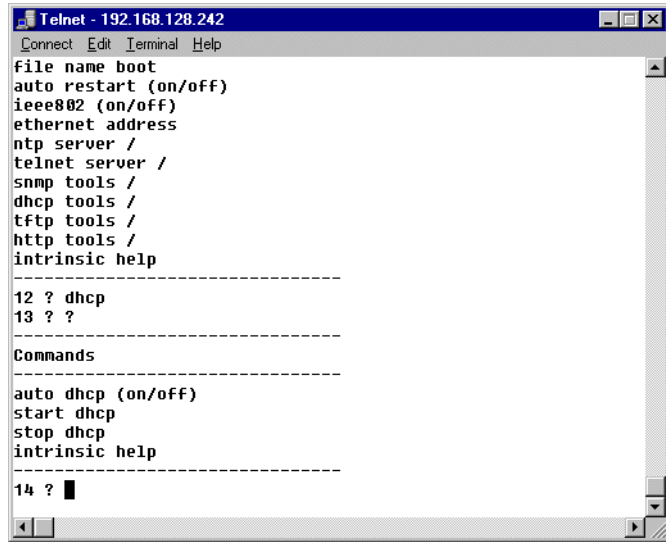


Figure 1-4: DHCP Commands

start/stop (RS-232, Telnet, SNMP)

Starts or stops a DHCP session to obtain network parameters from a DHCP or BOOTP server. A DHCP session will set the IP address, network mask, and route variables. In addition, if configured on the DHCP or BOOTP server, the host and TFTP boot file name can be obtained and configured by TymServe. The network interface will be restarted after a successful DHCP session to start using the new variables. The intrinsic command `trace` can be used to view the status and values relayed during a DHCP session.

TFTP Tools Directory

When you are in the network directory and type `tftp`, then press **Enter**, you see the TFTP subdirectory as shown in Figure 4-5.

auto <on or off> (RS-232, Telnet, SNMP)

Selects or queries the state of the automatic TFTP mode. If this mode is enabled, the TymeServe will attempt to download new operating firmware from a TFTP server after every reboot.

For TFTP transfers, the IP address, net mask, route, host, and file variables must be configured. This mode of operation is NOT recommended.

```
Telnet - 192.168.128.242
Connect Edit Terminal Help
file name boot
auto restart (on/off)
ieee802 (on/off)
ethernet address
ntp server /
telnet server /
snmp tools /
dhcp tools /
tftp tools /
http tools /
intrinsic help
-----
3 ? tftp
4 ? ?
-----
Commands
-----
auto tftp (on/off)
start tftp
stop tftp
intrinsic help
-----
5 ? █
```

Figure 1-5: TFTP Commands

start/stop (RS-232, Telnet, SNMP)

Starts or stops a TFTP session to download new operating firmware from a TFTP server. For TFTP transfers, the IP address, net mask, route, host, and file variables must be configured. When a TFTP session is started, a rolling indicator will be displayed in Telnet or RS-232 sessions to indicate that a transfer is taking place. If the indicator stops moving, the intrinsic command `trace` can be used to display the terminal status of the TFTP session. See [Appendix C: Firmware Upgrade](#) for more information about upgrading the firmware.

HTTP Tools Directory

Typing `http` and pressing **Enter** in the **network directory** accesses the HTTP directory.

auto <on or off>

(RS-232, Telnet, SNMP)

Selects or queries the state of the automatic HTTP mode.

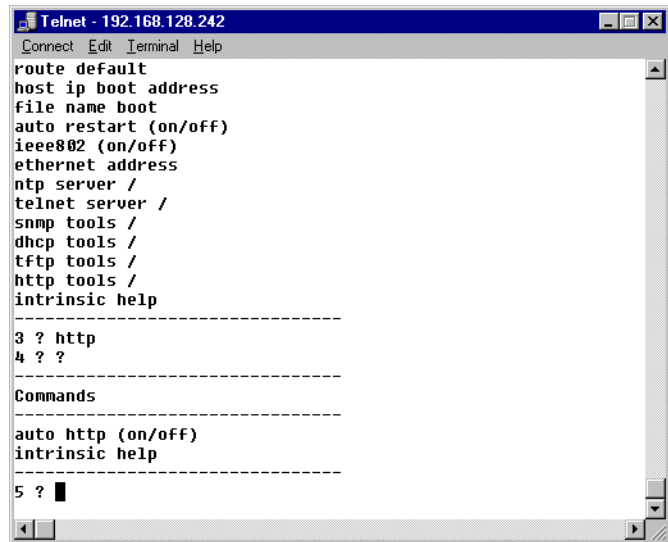


Figure 1-6: HTTP Commands

Oldtime Tools Directory

Typing `<oldtime>` then **Enter** in the **network directory** accesses the OLDTIME directory.

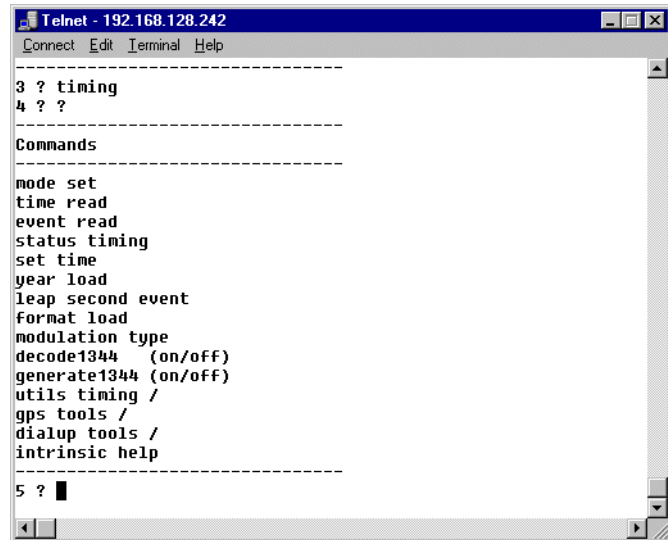
auto <on or off> **(RS-232, Telnet, SNMP)**

This command allows the user to disable both the time (RFC 868) and daytime (RFC 867) protocol daemons. This feature is provided for access control purposes.

NOTE: This command has no impact on the standard NTP (RFC 1305) daemon.

Timing Directory

If you type `timing` then press **Enter** under **root directory**, you enter the timing directory as shown in this illustration. Its commands configure the time engine. Some timing-related utility tools are available in the directory.



```

Telnet - 192.168.128.242
-----
3 ? timing
4 ? ?
-----
Commands
-----
mode set
time read
event read
status timing
set time
year load
leap second event
format load
modulation type
decode1344 (on/off)
generate1344 (on/off)
utils timing /
gps tools /
dialup tools /
intrinsic help
-----
5 ? █

```

Figure 1-7: Timing Commands

Timing Commands

mode <mode-value> (RS-232, Telnet, SNMP)

Selects the reference time source that will be used by the TymServe to synchronize its internal clock, where mode-value is one of the following

- 0 = Time code
- 1 = Freerun
- 2 = 1PPS
- 6 = GPS

time (RS-232, Telnet, SNMP)

Queries the current date and time.

event (RS-232, Telnet, SNMP)

Queries the captured event every 100ms. Enter `Control+C` to stop it. Captured event about every 100 ms.

status (RS-232, Telnet, SNMP)

Queries the current timing status of the TymServe and this bitmask relays information shows the internal PLL disciplining to the selected timing reference source:

‘Status: 0x0v’

where ‘v’ has value 0 – 7, and can be represented by <Bit 2> <Bit 1> <Bit 0>

Bit 0 = 0 if receiving reference signal (Tracking)

= 1 if NOT receiving reference signal (Flywheeling)

Bit 1 = 0 if Bit 0 = 0 AND if phase difference < 2 usec in mode 6 or 5 usec
in mode 0

= 1 otherwise

Bit 2 = 0 if Bit 0 = 0 AND if frequency difference < 5E8 per second

(Locked)

= 1 otherwise

where phase difference is between internal oscillator and reference signal
and frequency difference is between internal oscillator and reference signal

Thus

0 = 000 – Locked, where Tracking and Locked light are on (stabilized)

1 = 001 – not defined

2 = 010 – Tracking, where Tracking light is on and Locked light off (stabilizing)

3 = 011 – not defined

4 = 100 – Tracking, where Tracking light is on and Locked light off (stabilizing)

5 = 101 – not defined

6 = 110 – Tracking, where Tracking light is on and Locked light off (stabilizing)

7 = 111 – Flywheeling, where Tracking and Locked light are off (cold starting)

set <time> (RS-232, Telnet, SNMP)

Sets the current time. While this command can be used in any mode, it is useful only for the special Freerun or 1PPS mode. The input is in one of the following format:

x.y

mm/dd/yyyy hh:mm:ss.x

yyyy ddd hh:mm:ss.x

MON dd yyyy hh:mm:ss.x

hh:mm:ss.x

where *x.y*

mm/dd/yyyy = month/day/year.

yyyy ddd = year number-of-day-in-the-year.

MON dd yyyy = 3-up-case-letter-month date year.

hh:mm:ss.x = hour:minute:second.second-fraction

UTC time is in the format of *second.second-fraction* since 0:00AM on January 1, 1970. The *second-fraction* part of a leap second event should always be 0.

year <xxxx> (RS-232, Telnet, SNMP)

Sets the year used by the TymServe between 1970–2050. While this command can be used in any mode, it is not useful for GPS where the year is automatically set from the GPS signal.

leap <type> <Time> (RS-232, Telnet)

Queries and sets leap second event information. The command without parameter returns current setting of leap second event information. If the UTC second count of leap second event time is the past, the leap event type should be 0 (zero). If the UTC second count of leap second time is in the future, the leap event type should be either 1 or -1

where *type* is the leap second event type:

0 = no action or cleared

1 = insertion.

-1 = deletion.

and *Time* is UTC time when the leap event will occur in one of the following formats:

x.y

mm/dd/yyyy hh:mm:ss.x

yyyy ddd hh:mm:ss.x

MON dd yyyy hh:mm:ss.x

hh:mm:ss.x

where *x.y* = *second.second-fraction*.

mm/dd/yyyy = month/day/year.


yyyy ddd = year number-of-day-in-the-year.

MON dd yyyy = 3-up-case-letter-month date year.

hh:mm:ss.x = hour:minute:second.second-fraction

UTC time is in the format second.second-fraction since 0:00AM on January 1, 1970.

The second-fraction part for a leap second event should always be 0.

	<p>WARNING: This command is critical to a TymServe that is running in IRIG-B, Freerun, or IPPS mode because the time reference does not provide leap second information. It is user's responsibility to set the leap second event so that TymServe can operate correctly in the event of a leap second insertion or deletion.</p> <p>For a TymServe that is running in GPS or IEEE 1344 IRIG-B mode, the leap second event does not need to be set by this command because it is done automatically. However, this command can be used to query or verify a leap second event.</p>
---	---

format <type> (RS-232, Telnet)

Queries and sets input time code format, where type is in input time code format:

- A = IRIG-A
- B = IRIG-B
- C = 2137
- N = NASA 36
- X = XR3 (1 kHz carrier)

While this command can be used in any mode, it is useful only for time code mode.

modulation <type> (RS-232, Telnet)

Queries and sets input time code modulation type, where type is input time code modulation type:

- M = Amplitude modulated
- D = DC Level shifted

While this command can be used in any mode, it is useful only for time code mode.

decode1344 <on enable> or <off disable> (RS-232, Telnet)

Queries and sets if TymServe decodes input time code in IEEE1344 IRIG-B format. While this command can be used in any mode, it is useful only for time code mode.

NOTE: The commands "config show -0(All)" and "config show -2(timing)" give the incorrect status for items "decode1344" and "generate1344". For those items, status "yes" means "no", and "no" means "yes".

generate1344 <on enable> or <off disable>

Queries and sets if TymServe generates time code in IEEE1344 IRIG B format.

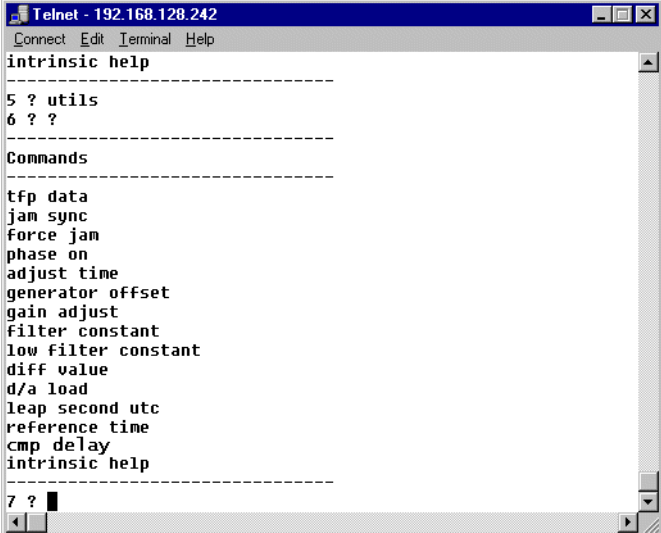
NOTE: The commands "config show -0(All)" and "config show -2(timing)" give the incorrect status for items "decode1344" and "generate1344". For those items, status "yes" means "no", and "no" means "yes".

NOTE: The definition of the offset field in the IEEE 1344 data is *the time required to be added to the time code to correct for UTC time*. As such, any generator offset programmed into the unit results in the inverse

of the offset being loaded into the 1344 data. The 1344 data is fully supported with the exception of the Daylight Saving Time pending and Daylight Saving Time active bits which are always set to 0.

Timing Utility Directory

Typing `utils` and pressing **Enter** under **timing directory** opens the utility timing directory as you can see in this figure. Commands in this directory provide utility for the timing engine.



```
Telnet - 192.168.128.242
Connect Edit Terminal Help
intrinsic help
-----
5 ? utils
6 ? ?
-----
Commands
-----
tfp data
jam sync
force jam
phase on
adjust time
generator offset
gain adjust
filter constant
low filter constant
diff value
d/a load
leap second utc
reference time
cmp delay
intrinsic help
-----
7 ?
```

Figure 1-8: Timing Utility Directory

tfp (RS-232, Telnet)

Queries various information from the timing co-processor on the TymServe as shown in the table that follows.

Table 1 - 2: TFP Queries

Input Parameter	Returns
0 (tfp d/a)	0xXXXX (PLL oscillator disciplining voltage in hex)
1 (tfp leap second count)	xx (current leap second count for GPS mode)
2 (firmware version of timing coprocessor)	TS21 V.vvv MM/DD/YYYY HH:MM:SS where V.vvv = major version.minor version MM/DD/YYYY = month/day/year HH:MM:SS = hour:minute:second
3 (current timing coprocessor selected timing mode)	Mode (this should match the value returned by the mode command)
4 (timecode mode)	Mode (this should match the value returned by the format command)
5 (gain for 10 MHz phase lock loop)	Value of gain
6 (filter gain KM)	Value of KM
7 (filter gain KO)	Value of KO

jam <'1' enable or '0' disable> (RS-232, Telnet)

Enables or disables automatic jam-synch.

force (RS-232, Telnet)

Forces a jam-synch on next reference pps with GPS.

phase <0 or positive disturbance-100ns step size> (RS-232, Telnet)

Reads and displays phase values for ten seconds then forces a phase step of user specified magnitude such as 10, 100, or 1000. Then continues to read and display phase until a key is pressed. It reads and displays current undisturbed phase if 0 is entered. Any value as magnitude of phase disturbance (0 as no disturbance).

adjust <value at step size - 100ns> (RS-232, Telnet)

Adjusts the timing engine time so that it speeds up with a positive value and slows down with a negative value in step size 100ns. Do not change this parameter unless you are absolutely certain that it is necessary to do so. Adjust at a step size of 100ns.

Generator <offset in hours from -12 to 12> (RS-232/Telnet)

Queries and sets an offset that is applied to UTC in the time code output. Useful for sending local time to equipment such as wall-mounted time displays that lack their own offset feature. Adjust the offset manually if Daylight Saving Time is in effect. This offset has no effect on NTP or the time displayed by the front panel display.

gain <Gain value> (RS-232, Telnet)

Sets discipline filter gain value for time reference signal. Do not change this parameter unless you are absolutely certain that it is necessary to do so.

The gain value range is -32767 to +32768.

filter <value> (RS-232, Telnet)

Sets filter constant. Do not change this parameter unless you are absolutely certain that it is necessary to do so. The floating point value range is 0.0 – 1.0

Low (RS-232, Telnet)

Current low pass filter constant. Not applicable to TymeServe currently.

diff <x> (RS-232, Telnet)

Sets diff value to adjust the period of the HC11 generated 1PPS. A value of 0 resets the diff to 33920 which causes the pps to be 0x2E6 clock cycles. Positive values lengthen the diff while negative values shorten the diff. The effect on diff is cumulative, except for value 0. Do not change this parameter unless you are absolutely certain that it is necessary to do so.

d/a <DAC control value between 0x0000 – 0xFFFF> (RS-232, Telnet, SNMP)

Queries or sets the d/a control steering voltage that controls the TymeServe oscillator value. This setting, in conjunction with the gain and constant, is used to control the frequency of the on-board oscillator. The setting of this value is recommended only for advanced users who wish to control the frequency of the oscillator in the special freerunning mode.

leap second utc (RS-232, Telnet)

This command allows the user to query the current leap second information in the TymeServe. The first value returned is the leap action which can be:

- 0 = no action
- 1 = leap second insertion scheduled
- 1 = leap second deletion scheduled

The second value returned is the UTC binary second time at which this event will take place. Note that the time can be in the past, which is typical for GPS. If the time is in the past, no action will be taken regardless of the state of the leap action variable.

Cmp delay (RS-232, Telnet)

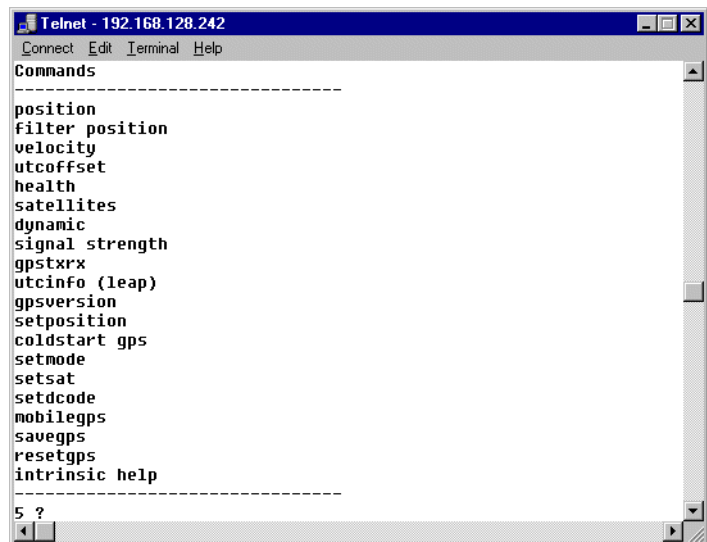
Query/set the compensation delay value between 0 and 32000uS. This command is used to compensate for delays in cabling time code into the TS2100.

reference (RS-232, Telnet)

Query latest reference time. The reference time reflects whether the reference source is available currently or not. This command can be used to check when TymServe loses its reference source if the reference time returned is not current.

GPS Tools Directory

Typing <gps> and pressing **Enter** under the **timing directory** enters the **gps-tools** directory as shown here. The commands in this directory are useful only when the TymServe has the GPS option.



```
Telnet - 192.168.129.242
Connect Edit Terminal Help
Commands
-----
position
filter position
velocity
utcoffset
health
satellites
dynamic
signal strength
gpstxrx
utcinfo (leap)
gpsversion
setposition
coldstart gps
setmode
setsat
setdcode
mobilegps
savegps
resetgps
intrinsic help
-----
5 ?
```

Figure 1-9: GPS Tools Directory

position (RS-232, Telnet)

Queries the current position information of latitude and longitude in degrees and altitude in meters as reported by the GPS receiver. Until the GPS receiver starts providing position

fixes, the position displayed will correspond to the factory default value of 37/-121/0, which corresponds to the position of the factory where the GPS receivers are manufactured.

filter (RS-232, Telnet)

Starts a command loop that continuously requests GPS position information until a key is pressed. This command is a test for future support of auto position sampling and is not necessary for normal operation of the TymServe.

velocity (RS-232, Telnet, SNMP)

Queries the current three-dimension velocity information as reported by GPS receiver's movement: East, North and Up in meters per second.

utcoffset (RS-232, Telnet, SNMP)

Queries UTC offset in seconds as reported by the GPS receiver.

health (RS-232, Telnet, SNMP)

Queries information about GPS tracking status and the operational health of the GPS receiver. Note that error code "1" is always set since the GPS receiver battery back-up is not installed. An error code of "11" means there is no battery for backup and an antenna feed fault. This is normal.

Error code:1	Battery backup fail
Error Code:11	Antenna Line Feed Fault

An "Antenna feed line fault" is probably due to the fact that the 2100 is monitoring DC current draw on its antenna port and is not seeing any, creating a "fault" condition. this is because the antenna is being powered form the main board of the TymServe rather than the GPS receiver. The antenna feed fault is due to a module in the unit that will power any antenna type in all units.

satellites (RS-232, Telnet, SNMP)

Queries the selected GPS satellites' ID number. Satellite ID Number varies with location and time.

Operation Mode: auto or manual.

Dimension in Time Calculation: 1-D, 2-D or 3-D.

dynamic (RS-232, Telnet, SNMP)

Queries dynamic code received from the GPS receiver to indicate the current movement of the receiver. These are: stationary, < 50 knots on sea, < 120 knots on land, < 800 knots in the air.

signal (RS-232, Telnet, SNMP)

Queries up to twelve satellite ID number/signal levels for all the satellites currently being tracked. A satellite will be selected only when its signal value is equal or great than 6.

gpstxrx (RS-232, Telnet, SNMP)

Queries user queried data from GPS receiver directly. The third input parameter is the packet number that GPS recognizes as a command for any query.

Detailed information about packet number and its corresponding action is available from Symmetricom.

<transmit count> <receive count> <transmitting data>

Where the parameters are sent to GPS receiver for query purpose:

<transmit count>= number of bytes in <transmitting data> field to be transmitted to GPS receiver.

<receive count> = number of bytes to expect to be received from GPS receiver as response.

<transmitting data>= packet number as data to be transmitted to GPS receiver.

The number of bytes to be received is specified by the `receive count` field.

utcinfo (RS-232, Telnet, SNMP)

Queries UTC time information received from GPS receiver. The actual UTC time equals GPS time minus dTLs. UTC time information is as follows:

A0	= (not used)
A1	= (not used)
dTLs	= current leap second
ToT	= (not used)
WNt	= current week number
WNLs	= week number when event did occur or will occur
f	
DN	= day of week for event
DTLsf	= future leap second to occur

gpsversion (RS-232, Telnet, SNMP)

Queries GPS software versions by GPS receiver's manufacturer, where the first half is the version and date for Navigation software and the second half is for Signal Processor software.

setposition (RS-232, Telnet, SNMP)

Sets the position of the TymServe via latitude, longitude, and altitude in degrees. This command is a test function for future support of auto position sampling and is not necessary for normal operation of the TymServe.

NOTE: The TymServe is capable of determining its own position at startup without any user input.

coldstart (RS-232)

Sends a reset command to the embedded GPS receiver inside the TymServe. This command is a test function for future support of auto position sampling and is not necessary for normal operation of the TymServe.

setmode (RS-232)

Sets the position solution of the embedded GPS receiver inside the TymServe. This command is a test function for future support of auto position sampling and is not necessary for normal operation of the TymServe.

setsat (RS-232)

Sets the satellite for single satellite operations or selects the overdetermined timing mode. This command is a test function for future support of auto position sampling and is not necessary for normal operation of the TymServe.

setdcode (RS-232)

Sets the dynamics code of the embedded GPS receiver inside the TymServe. This command is a test function for future support of auto position sampling and is not necessary for normal operation of the TymServe.

mobilegps (RS-232)

This is an `on/off` command. The command allows the user to modify the behavior of the TymServe 2100. If the `mobilegps` setting is OFF, the TymServe will send a command to the GPS receiver to enter into a dynamic code once it begins to track. If the `mobilegps` setting is ON, the TymServe will *not* send any dynamic code changes to the GPS receiver.

savegps (RS-232)

This command is only functional with newer ACE GPS receivers. If this command is issued, the TymServe will send a command to the GPS Receiver to update its nonvolatile memory with the current receiver settings. This allows the user to change the fix mode, dynamics code, and so on in the receiver and then have the receiver use these settings after subsequent power cycles.

resetgps (RS-232)

This command is functional only with newer ACE GPS receivers. If this command is issued, the TymServe will send a command to the GPS Receiver to reset its nonvolatile memory with the factory default receiver settings. This allows the user to remove any changes they made using the `savegps` command.

Dialup Tools Directory

Typing `dialup` and pressing **Enter** under **timing directory** enters the dialup-tools directory. All commands in this directory allow user to set up modem with TymServe for ACTS. See more about the ACTS interface and SNMP-ACTS in the section [ACTS Interface on page 39](#).

verbose <1 for on> or <0 for off> (RS-232, Telnet)

Queries and sets the modem debug flag. This flag is used to monitor various data points in the ACTS system. Note that this function is not required for normal operation.

init_string <modem-command-string> (RS-232, Telnet)

Queries and sets the modem initial string. This string will be sent to the communications device before each access. Be sure to include the preceding AT command in the string.

phone_number <modem-command-string> (RS-232, Telnet)

Queries and sets the remote ACTS server's phone or directory number to a maximum of 80 digits. The number may include any standard Hayes-compatible codes including the comma (,) and dash (-). Do not put ATDT at the beginning of the string as the TymServe will automatically do so.

interval <hour> (RS-232, Telnet)

Queries and sets the ACTS automatic calling feature, where the hour is number of hours between two calls. If this value is not zero, TymServe will call immediately and then schedule calls using a period of interval hours. TymServe will monitor calls for failures.

In the event of a call failure, the call will be rescheduled five minutes later. TymServe will make up to five attempts to complete a scheduled call before deleting the call from the call queue.

dialup_enable <on> or <off> (RS-232, Telnet)

Queries and sets the automatic calls to the dialup time service associated with the time interval set by the `interval` command.

answer_enable <on> or <off> (RS-232, Telnet)

Queries and sets the automatic answer as a master dial-up time service. This function will answer incoming calls and return time data in ACTS format if it is on.

nist (RS-232, Telnet)

Starts a manual ACTS call to a remote ACTS server. The command will return information regarding the success or failure of the call attempt. The manual ACTS call will try only once. The `verbose` command may be used to obtain more data regarding a remote ACTS connection. To display the additional information after the call attempt, use `trace` command.

Serial Directory

Typing `serial` and pressing **Enter** under the **root directory** displays the serial directory. The serial commands are used for status or configuration of TymServe through the Serial Port B.

port <port> <baud> <data-bit> <stop-bit> <parity> (RS-232, Telnet)

Queries or sets serial configuration for port A, B, and C. If a port is currently in use and its parameters are changed, the connection will be lost and a new connection with proper parameters will need to be started.

where <port> = A, B, or C

<baud> = baud rate between 50 and 115200.

<data-bit>= data length between 5 and 8 bits.

<stop-bit>= stop bit length either 1 or 2.

<parity> = one of parity choices: none, odd, low, even and high.

statistics (RS-232, Telnet)

Queries statistics information including number of transmitting and receiving counts, number of receiving breaks and drops, and so forth. It also gives statistics information for a selected port. Port name: A, B, or C.

clr <port A, B or C> (RS-232, Telnet)

Clears port statistics selected by user.

downloads (RS-232, Telnet)

This function tells the TymServe to start looking for a new version of firmware to be downloaded via the rear panel RS-232 port Serial B. After issuing this command, the user should select `text file download` from their ASCII terminal and stream the file containing the new firmware to the TymServe. Once the command is issued, a rolling indicator will be displayed to confirm that the TymServe is waiting for a firmware download. Once the file begins streaming, the rolling indicator should continue. If, instead, a string of errors is reported, check that the record terminators (that is to say, CR, CR-LF, and so on) are properly matched with the settings in the serial menu. This is used for upgrading the FLASH EPROM which contains the TymServe operating code. This function is not necessary for normal operation of the unit. The file format is Motorola S-records.

echo <port> <echo-state> <translate-state> (RS-232, Telnet)

Queries or sets the state of echo and translate for port A, B, C, and Telnet port. If echo is ON, a character entered will be echoed on screen, otherwise it will not. But if translate is on, the carriage-return entered will be translated to new-line-feed. The translation should be coordinated with the setting of the serial for hyper-terminal, tip, or whatever term emulator.

where <port> = A, B, or C
= telnd (for Telnet port).
<echo-state> = on (echo enabled).
= off (echo disabled).
<translate-state>= on (translate enabled).
= off (translate disabled).

sysplex <on> or <off> (RS-232, Telnet)

Transmits UTC time through the rear panel Serial Port when sysplex is set to 'on.' Once `sysplex` is on, system starts to poll the Serial Port A. It starts the time transmission after

it receives 'c' or 'C' character via the Serial Port. It stops when it receives an **r** or **RS-232** character. It transmits UTC time in ASCII format once every second at the time when carriage-return is transmitted (the carriage-return is transmitted on time each second).

auto sysplex <on enable> **or** <off disable> (**RS-232/Telnet**)

Queries and sets if the TymServe should automatically start the sysplex timer output without waiting for an input 'c' or 'C' character. This command is only useful if sysplex has been turned on. If auto is set on, the TymServe will ignore any input characters and continuously generate serial time output.

Utility Directory

Typing `utility`, then pressing **Enter** under **root directory** gets the utility directory. These commands provide a set of utility commands for TymServe.

default (**RS-232, Telnet**)

Sets all TymServe system parameters to default values that are hard-coded in the firmware. These parameters include (1) system state; (2) network related parameters such as IP address, net mask, default route, boot host and boot file name; (3) serial-related parameters such as baud rate, stop bit, parity for all ports, and so on. If this command is executed while DHCP is running, network related parameters such as IP address, net mask, and so forth, will be restored after they are set to default values at the time when ip address lease needs to be renewed.

restart (**RS-232, Telnet**)

Restarts the system.

net <on> **or** <off> (**RS-232, Telnet**)

Queries or sets the state of the network trace facility. The network trace uses promiscuous mode to dump network data to the trace buffers. This function is provided for debugging purposes and is not necessary for normal operation of the TymServe.

display (**RS-232, Telnet**)

Displays and sets front panel display contrast value. Bigger positive value makes contrast bigger. Negative value sets zero-contrast. A good value should be around 5000-10000.

statistics (RS-232, Telnet)

Queries system statistics including number of ethernet transmitting, receiving and dropping, timer usage by system, DHCP binding number, and TFTP, Telnet server and NTP Server session numbers. Statistical information about network activities and system timer usage.

utc_binary (RS-232, Telnet)

Converts input time to UTC second counts since 0:00AM on January 1, 1970. If only hh:MM.: ss.x is used as input, it assumes the date is January 1, 1970.

One of following formats:

mm/dd/yyyy hh:mm:ss.x

yyyy ddd hh:mm:ss.x

MON dd yyyy hh:mm:ss.x

hh:mm:ss.x

where

mm/dd/yyyy = month/day/year.

yyyy ddd = year number-of-day-in-the-year.

MON dd yyyy = 3-up-case-letter-month date year.

hh:mm:ss.x = hour:minute:second.second-fraction

UTC time in the format of second.second-fraction since 0:00AM on January 1, 1970.

utc_julian (RS-232, Telnet)

Converts input time to Julian time. If only hh:mm:ss.x is used as input, it assumes the date is January 1, 1970.

One of following formats:

x.y

mm/dd/yyyy hh:mm:ss.x

MON dd yyyy hh:mm:ss.x

hh:mm:ss.x

where

x.y = second.second-fraction.

mm/dd/yyyy = month/day/year.
MON dd yyyy = 3-up-case-letter-month date year.
hh:mm:ss.x = hour:minute:second.second-fraction

Julian time in the format of yyyy ddd hh:mm:ss.x, where
yyyy ddd = year number-of-day-in-the-year.

utc_calendar (RS-232, Telnet)

Converts input time to Calendar time. If only hh:mm:ss.x is used as input, it assumes the date is January 1, 1970.

One of following formats:

x.y
yyyy ddd hh:mm:ss.x
MON dd yyyy hh:mm:ss.x
hh:mm:ss.x

where

x.y = second.second-fraction.
yyyy ddd = year number-of-day-in-the-year.
MON dd yyyy = 3-up-case-letter-month date year.
hh:mm:ss.x = hour:minute:second.second-fraction

Calendar time in the format of mm/dd/yyyy hh:mm:ss.x, where
mm/dd/yyyy = month/day/year

utc_ascii (RS-232, Telnet)

Converts input time to ASCII time. If only hh:mm:ss.x is used as input, it assumes the date is January 1, 1970.

One of following formats:

x.y
mm/dd/yyyy hh:mm:ss.x
yyyy ddd hh:mm:ss.x
hh:mm:ss.x

where

x.y = second.second-fraction.

mm/dd/yyyy = month/day/year.

yyyy ddd = year number-of-day-in-the-year.

hh:mm:ss.x = hour:minute:second.second-fraction

ASCII time in the format of MON dd yyyy hh:mm:ss.x, where

MON dd yyyy = 3-up-case-letter-month date year.

config show (RS-232, Telnet)

This is a configuration dump utility providing a single interface to retrieving current configuration settings. Entering the command without any parameter will display the format. System, network, or ALL settings maybe be retrieved. This command is not required for typical operation but allows the administrator to make a record of the current settings for use if replacement is ever required.

NOTE: The commands “config show -0(All)” and “config show -2(timing)” give the incorrect status for items “decode1344” and “generate1344”. For those items, status “yes” means “no”, and “no” means “yes”.

Intrinsic Help

Intrinsic help commands are commands that can be used in any directory as a basic shell command tool. To get a list of intrinsic commands, enter `intrinsic`.

pop (RS-232, Telnet)

Moves the command shell to the previous level. The command `root pop <Enter>` disconnects the Telnet session.

root (RS-232, Telnet)

Moves the command shell to point to the main shell directory. While this function is not necessary for operation, it can be useful for navigating the command shell.

exit (RS-232, Telnet)

This command exits the Telnet client session while it is active. This command has no effect if it is executed in the serial session. To terminate the existing Telnet session from a serial session use `stop` command as explained in the Telnet directory.

version (RS-232, Telnet)

Displays the current firmware version and build date of the TymServe

Rev V.VVV MM/DD/YYYY HH:MM:SS.

Filename: ts21.hex

Where V.VVV = major.minor version.

MM/DD/YYYY = month/day/year, HH:MM:SS = hour:minute:
second

Filename: Name of Firmware Image file

trace (RS-232, Telnet)

Displays current contents of the trace buffers. These buffers contain information reported by various subsystems of the TymServe. After a restart, the buffers will contain status reports from each major initialization steps. If an error occurs, a message is written to the trace buffers whenever possible. The trace buffers are implemented in a circular buffer where newer entries will overwrite older information when the buffers are full. The clear command can be used to flush the trace buffers. If you suspect an error has occurred, use this command to query the system.

clear (RS-232, Telnet)

Clears the trace buffers. While this function is not necessary for operation, it can be useful for debugging purposes.

stamp (RS-232, Telnet)

Queries the time stamp of internal operating system clock which is set to zero when TymServe is powered on. The time stamp of the internal operating system clock is in milliseconds.

history (RS-232, Telnet)

Displays the last fifteen commands that have been executed.

pause (RS-232, Telnet)

Waits for user specified number of milliseconds and then executes next command if it is provided in the same command line following the number. For example, the `pauses 5000 history` command waits for five seconds and then executes the `history` command. Input any integer number as the number of milliseconds to pause.

Peek <address> <count> **(RS-232, Telnet)**

Displays memory contents in number of bytes specified by count at location specified by address. The address and count can be hex numbers but should begin with '0x.'

where <address> = starting address of memory to be displayed.

<count> = number of bytes of memory to be displayed.

Memory contents in hex at memory location specified by input parameters.

compare <src address> <des address> <count> **(RS-232, Telnet)**

Compares memory contents of source and destination specified by addresses. If they are the same, nothing is returned. Otherwise only the contests that are different are displayed.

where <src address> = starting address of source.

<des address> = starting address of destination.

<count> = number of bytes to be compared.

repeat **(RS-232, Telnet)**

Repeats number of times specified by user to execute command prior to repeat commands in the same command line. Use any integer number for `repeat` in executing commands.

**(RS-232, Telnet)**

Provides shell command parsing a mark that indicates the end of command line.

? **(RS-232, Telnet)**

Displays various commands available in current directory for use on the TymServe.

Chapter 5: SNMP Configuration and Control

In This Chapter

This chapter reviews SNMP (Simple Network Management Protocol) configuration, including variables and security.

SNMP Configuration Overview

To use SNMPv1 set and request packets, the network parameters must be configured using either RS-232 or Telnet access methods.

Once the network parameters have been set, you can send SNMPv1 packets to configure the operating mode. Then, compile the ASN.1 SymmetricomMIB definition file provided on the SNMPv1 management platform. Select the variable `tsTengMode` to set the operating mode. The initial read community name is `public` and the initial read/write community name is `private`.

Symmetricom has designed and implemented a custom MIB extension to complement our support of the MIB-II variable set. The SymmetricomMIB provides access to data and controls specific to the TymServe and NTP service. The SymmetricomMIB extension also provides SNMPv1 traps, which are generated by the TymServe in the event of NTP leap indicator changes or extended reference time source signal losses. An ASN.1 definition of the SymmetricomMIB extension is provided on an MS-DOS formatted

diskette. This file is suitable for compilation on any SNMP management platform which supports RFC 1155 (SMI), RFC 1213 (TRAPS), and RFC 1215 (OBJECT MACRO DisplayString).

Whatever your plans for SNMPv1 access, these community names should be changed for security reasons.

The following section covers the Symmetricom MIB Extension, MIB compilation, and security aspects of the SNMP.

Symmetricom MIB II Extension

The data available from the TymServe through SNMP is based on the MIB-II variable set which has been enhanced with a custom MIB extension to provide data unique to NTP and the TymServe. Manufacturer-specific or enterprise MIB extensions are given a unique identifier, or enterprise number, which defines where the extension is located in the MIB tree. Symmetricom has been assigned an enterprise number of 601. There are more details about the MIB extension in [Appendix D: Symmetricom MIB Extension](#).

Additional Stored MIB Variables

The first 39 characters of the sysName, sysContact, and sysLocation will be stored in flash EPROM and loaded during any subsequent initialization or powerup. You can set these variables through either the command interface or SNMP set requests.

MIB Compilation

Most SNMP management platforms are capable of reading MIB-II data. The Symmetricom-specific MIB extension needs to be added to the manager. Typically, these MIB extensions are defined using a syntax known as ASN.1. The Symmetricom MIB extension is provided on an MS-DOS format floppy disk and is defined using ASN.1, and includes imports from RFC 1155-SMI, RFC 1212, RFC 1213-MIB, and RFC 1215. Consult your SNMP manager documentation to determine how to compile the Symmetricom MIB extension into your SNMP software package.

Security

Once the SNMP management software has been configured to recognize data from the TymServe, the security parameters on the manager need to be defined to match those set on the TymServe.

SNMPv1

The security parameters for SNMPv1 are based on a community name, which is a string of ASCII characters (“public”), and an IP address. The TymServe defines the IP address

such that SNMPv1 packets will be accepted from any IP address which has a valid community name. The community name in SNMPv1 dictates the level of access. The TymServe allows for the definition of two community names: one read-only, and one read-write. Consult your SNMP manager documentation to determine how to create an object and set the community names. Typically, the information required will be the IP address of the TymServe and the community names which were set through the command interface of the TymServe.

MIB-II Extension File

Symmetricon MIB-II extension is available to users in the CD shipped with the TymServe. The MIB file name is **TS2100.mib**.

For Symmetricon MIB Extension code and commands, see [Appendix D: Symmetricon MIB Extension](#).

Chapter 6: FAQ and Troubleshooting

In This Chapter

This chapter provides answers to frequently-asked questions, and solutions to problems that might arise while installing and operating the TymServe 2100.

Frequently Asked Questions

How can we obtain NTP client software to use with TymServe?

NTP client software information and configuration details are available from:

<http://www.ntp.org> and <http://www.ntp-systems.com/symmtime.asp>

Client software and configuration information for Unix, Windows, and Novell platforms can be downloaded from this site.

SNTP client software is included with the TymServe hardware.

What are the main differences between SNTP and NTP clients?

SNTP is a Simple Network Time Protocol. It is based on RFC 1361/2030: it gets its time from the specified time servers of the machine on which it is installed. This protocol cannot be configured to obtain time from an alternate time server if the primary server is down. This could be called a short version of NTP client software.

NTP, Network Time Protocol, is based on RFCs 1305 and 1119 which can be configured to obtain and distribute the time on the network. It has a built-in algorithm that calculates

the time accurately up to 1-10 milliseconds. The algorithm can be configured to obtain time from an alternate source in case the original time server fails or gets out of synchronization.

How does the TymServe 2100 interface with SNMP?

The TS2100 is designed for a computer network. Computer networks typically use SNMP to monitor the devices on the network. The TS2100 reports alarms/traps if you have implemented SNMP.

Symmetricon has written a .mib that can be compiled with SNMP management software. MIBs contain information specific to that device. Once compiled, the MIB can help the SNMP management software understand the status of the TS2100.

Is there a way to get GPS time instead of UTC time from the TymServe?

The TymServe normally provides UTC time. However, it can be configured to output GPS time—currently UTC + 13 seconds—by making several hardware changes to the unit.

Can a local time offset be entered into the unit?

The TS2100 provides independent time offsets for the front panel displayed time and the IRIG output. NTP is not adjusted for local time by the TymServe; that is a client function.

What outputs are available on the TymServe 2100?

These are:

- IRIG B (AC and DCLS)
- 1 PPS
- 10 MHz
- Ethernet 10BaseT (RJ 45, Telnet, NTP, SNMP, SNTP, HTTP, TFTP)
- RS-232 Serial Port (DTE, Sysplex Timer, modem)
- RS-232 Serial Port (DCE) for Configuration/Status

How does the TymServe handle Leap Second?

Today's clocks keep pace with one another to within two or three millionths of a second over a year's time. However, the earth on its rotation might randomly accumulate almost a full second in a year. This time is deleted (or added, if needed) as a *leap second* from (or to) the UTC time on the last day of June or December in the affected year. This way, the clocks stay in step with the earth's rotation.

The GPS satellites send notice of an upcoming leap second about two months in advance. The TymServe receives this notice and, following NTP specifications, starts advising clients 24 hours in advance. At the leap second event, the TymServe will add or delete the leap second from the transmitted time.

The TymServe displays and outputs a leap second insertion as an extra “00”. An observer would see the following progression in the seconds portion of the display/output:

```
59 . . .  
00 . . .  
00 . . .  
01...
```

NOTE: The TymServe will do the same to an IEEE 1344 IRIG-B signal. However, in the event of a leap second, if the time source is regular IRIG-B, 1PPS, or Freerun (including ACTS), you must pre-program the leap second event with the command **leap** so that TymServe can be notified and maintain time correctly.

What signal strengths are required by the TymServe receiver to start tracking?

TymServe requires four satellite signals with strengths greater than 6 dB to turn the tracking LED on. After the tracking LED is on, TymServe requires only one satellite signal to maintain its time. If it loses the fourth signal, the TymServe will automatically transfer to Freerun mode and will keep on providing time.

What does *doing position fixes error code: 1* mean?

This means that the TymServe does not have DC backup power supply. Ignore this message because the current design does not have DC backup power supply.

How do I check versions of the firmware in TymServe?

To check for the version of TymServe firmware:

1. Enter **version** in the serial or Telnet connection.
2. The version of firmware for the TymServe is displayed.

To check for the version of GPS receiver:

1. Enter **gpsversion** in the timing command line.
2. Enter the **gps directory** through the serial or Telnet connection.
3. The version of firmware for the GPS is displayed.

What is the maximum number of computers that can be networked to the TymServe?

TymServe acts as a standalone time server. Average time to process the NTP request is approximately one millisecond. Therefore, TymServe can handle approximately 1,000

requests per second. However, clients running as Stratum 2 computers access TymServe in an interval of 64 to 65,536 seconds as the time progresses. The optimum number of computers is based on the capability of the network and on the acceptable level on load on the network.

What is the maximum antenna cable length for use with TymServe?

A maximum length of 300 feet can be used with the standard (Bullet II) antenna. From 300–500 feet, the High Gain Antenna option is required. If you need longer lengths, please contact Symmetricom Technical Support.

What are the available antenna cable lengths and antenna requirements?

These are:

Cable length/cable type	Antenna
50'–100' Belden RG58:	Standard bullet-type
100'–300' Belden 9913:	Standard bullet-type
300'–500' Belden 9913:	High Gain
Over 500':	Contact Symmetricom

What are some guidelines for correctly cutting the cable, using splitters, and using cable connectors?

Some critical “do’s and don’ts” are:

- *Do* use pre-made kits from Symmetricom.
- *Do* install the antenna where there are no obstructions—either on the roof, or with a view of the horizon that is at least 30 degrees.
- *Do not* split the antenna cable signal to try to use the signal to drive other GPS devices.
- *Do not* cut the cable to a shorter length. Instead, bundle any excess cable. Correct antenna cable length—even if you do not “use it all”—is critical to proper TymServe operation, which should have a gain within the range of 15dB–25dB.

How do I set up a TymServe for operation once the antenna is installed?

Here are the steps:

1. Place the unit in the mounting rack.
2. Attach the antenna cable, power input, and network connection to the RJ 45 jack.
3. Switch on the power.
4. Enter the IP information by using the front panel and buttons ().
5. Confirm the unit is in GPS mode by using the front panel (press **Menu**, **2**, **1**, **6**).

6. Wait for the Tracking and Locked lights to come on. For VCXO or OXCO units, the Tracking light will turn on in about 15-30 minutes, and the Locked light will turn on when the internal oscillator stabilizes, in another 15-30 minutes. For Rubidium units, the Tracking light may take eight hours to light.

See [Chapter 2: Installing Your TymServe 2100](#) of this User Guide for more details about antenna installation.

How do I verify TymServe performance?

One way to do this is to establish a Telnet session with the TymServe, then:

1. Enter the command `root tim gps sat`<return>. This will show you the satellites currently viewed by the GPS module.
2. Enter `root tim gps sig` <return>. This will show you the signal strength of the satellites currently in view.
3. Enter `root tim gps health` <return>. This will show you the current system health status. Status Code 1 is good; other responses could indicate a problem.

How many satellites are necessary for me to operate TymServe?

Four. The unit will usually track six to eight satellites.

How do I know if the signal strength is good?

Any signal over 6 is good and usable by TymServe. The unit will continue to track a satellite down to 3 once it has acquired it at a level 6 or over.

How do I use the TymServe's HTML access page?

To do this:

1. Open your browser. (Netscape usually performs better than IE.)
2. On the address line, enter the IP address for your TymServe, in the standard quad notation (xxx . xxx . xxx . xxx), then <return>.
3. The page will open, and you will see the satellites currently being tracked by your TymServe.

What happens if the TymServe loses its source of time?

If GPS is your time source, and if you have enabled your TymServe to use dialup as an alternative, the TymServe will use dialup, though it won't change the time. However, if you use the trace command, the TymServe will display the offset. If IRIG is your time source, the TymServe does not automatically switch to a different mode.

How do I perform a firmware upgrade on the TymServe?

See [Appendix C: Firmware Upgrade](#) for instruction on this.

Troubleshooting

The front panel LCD is unreadable

Wait until the unit is locked and tracking before attempting to adjust the front panel LCD. The LCD is made darker by pressing the 4 button, and lighter by pressing the 9 button on the front panel keypad. When pressing the 4 or 9 buttons, press slowly with one-second intervals. If the screen is totally unviewable, you can initiate a telnet session by using the (stackable) commands: `root`, `utils`, `display`, `0x9700` (that's zero-x-9-7-zero-zero). This will make the display close to readable and you can then "fine tune" with the 4 and 9 buttons.

Tracking LED does not light up

An unlit Tracking LED on the front panel means the timing source is either not available or not usable.

For VCXO or OXCO units, the Tracking light will turn on in about 15-30 minutes, and the Locked light will turn on when the internal oscillator stabilizes, in another 15-30 minutes. For Rubidium units, the Tracking light may take eight hours to light.

Make sure the correct timing source mode is selected in the Timing directory (for details on this, Chapter 4).

If the timing source mode is correct, check the antenna location and the cable connections. Be sure the type and length of the cable is correct (see [Figure 1-4 on page 14](#)).

Locked LED does not light up

Once the four satellite signals reach sufficient strength to be received by the TymServe, its Tracking light comes on. Then the internal clock stabilizes, and the Locked LED light comes on. The Locked LED may take up to an hour to light.

If the Tracking LED light is on but the Locked light does not come on, then the TymServe's internal crystal may not be stable. In this case, please call Symmetricom TymServe technical support.

TymServe does not respond to ping command

Establish a serial or Telnet connection and verify that the IP, subnet mask, and default gateway addresses are entered correctly in the **Network** directory of the TymServe.

Also check the Ethernet 10baseT cable connections between the RJ45 connector and the hub or network. If TymServe is directly connected to the computer, verify that the 10baseT cable is connected through the crossed-over connector or through the hub.

TymServe does not respond to NTP queries

Verify that the TymServe can be pinged (see above). If TymServe can be pinged, but it doesn't respond to NTP queries, then verify that the NTP software on your computers is set up properly, and also verify that the client has the correct IP address of the TymServe.

Cannot make Telnet connection

Only one Telnet connection is allowed at a time. Make sure that the TymServe can be pinged and then try again.

If you still are unable to make a Telnet connection, it is possible that the previous Telnet session is not disconnected yet. To disconnect the previous Telnet session, access TymServe through the serial B port and issue the **stop** command through the **network->Telnet** directory, or wait until the session is timed out after an hour. The other alternative is to power cycle the unit.

Cannot establish serial connection with the TymServe

Make sure that the connection is made with straight-through serial cable to Serial Port B, *not* Serial Port A.

Also check that the configuration settings are set to a VT100 ASCII terminal using 9600, 8, N, 1. See [Chapter 3: TymServe 2100 Operation and Time-Related Protocols](#) for more details.

My TymServe won't track satellites

Check the following:

Possible cause of tracking problems:	How to fix:
Antenna not positioned correctly	Be sure antenna is on the roof or location with a view of at least 30° of the horizon, and at least two meters from other active receiving antennas and shielded from transmitting antennas
Cable is cut to the wrong length, causing dB gain problems	Replace with cable of correct length
Incorrect connector(s) at the end(s) of the cable(s) or along the cable run, causing dB gain problems	Replace with correct connector
Incorrect use of splitters, including signal splitting to another GPS device or cable cut to wrong length	Replace with splitter that does not "share" signal, on a cable of correct length

During firmware upgrade the TFTP session fails

Sometimes it takes three to four attempts to complete the Firmware upgrade process. When there is a failure in the TFTP downloading portion of the upgrade, it could be due to one of the following reasons:

Alert	Cause	Fix
The download-process spinning bar stops after only a few rotations	The TymServe cannot receive data from the TFTP server because the TFTP server configuration is not correct	Make sure the firmware file name and host IP address are entered correctly in the TymServe. Make sure the firmware file is placed in the correct directory in the TFTP server.
The download-process spinning bar spins for a long time, then stops before finishing the download	The traffic on the network is interfering with the downloading process	Excessive traffic can cause packet collision, hindering the download process. To fix this, have the TymServe and host machine connected to the same network hub ; this reduces the chances of traffic collision

Modified files are being “lost” by the file server in a distributed computing environment

File servers will typically compare a submitted file time stamp to that of the same named file resident on the server. Only if the submitted file is dated later will it be accepted. In poorly synchronized networks it is possible for a user to modify a file, such as in a software build, then submit it to the file server, and have it rejected without the user’s knowledge—all because the user’s workstation has a clock with the incorrect time which results in an incorrect file time stamp.

The solution is to set up the network with a hierarchical time distribution system based on NTP. TymServe receives time from the Global positioning System and distributes time to workstations further down the hierarchy by using the Network Time Protocol (NTP). This is a public domain protocol that can be installed on user workstations, then synchronized to the Stratum 1 TymServer to within 1–5 milliseconds. Thus files would be accurately time stamped and users could be sure that modified files will be correctly accepted and installed on the server.

Some users are denied access to the network by network security algorithms.

One common threat to network security is the so-called “man in the middle” attack: a packet or series of packets are intercepted, modified, and then replayed by the attacker to simulate a “good guy”.

A simple protection to this attack is to provide packet-filtering algorithms whereby a packet is accepted only if it has a current secret time stamp. An example is a filter that screens out packets older than one second. If a user's workstation clock is off by more than the filter's time window.

The solution is the same as to the previous question: set up the network with a hierarchical time distribution system based on NTP. The accurate time stamps provided by such a time distribution system would make it impossible to alter packets without detection.

Our local Stratum 2 time server, a salvaged workstation running in the computer vault, "hung" but we didn't know it until we got denial of service complaints from users.

Synchronizing to remote time servers is possible, but more users now say this results in a *decrease* in control. Public domain servers are fine for redundant backup, but for mission-critical LANs the primary source of time should be a dedicated time server such as TymServe. Many processes are dependent on accurate workstation-to-workstation and workstation-to-server synchronization. One "hung" event is usually enough to convince an IT manager to install a dedicated, standalone TymServe in the computer vault as a dependable solution.

Appendix A: Specifications

Key Features

- Stand-alone NTP Time Server
- Network Management Protocol
- Telnet and RS-232 Remote Access
- Independent Time Acquisition From:
 - GPS Satellite
 - IRIG Time Code
 - Dial-up Time Service
- 1U Height, Rack Mount Unit
- Convenient Front Panel Display and Keypad
- Versatile Input/Output:
 - IRIG B Time Code Input/Output
 - 1 PPS TTL/CMOS Output
 - 10 MHz Output
 - Sysplex Timer Output
- MD5 Access Authentication for Security
- HTTP Status Page
- Rubidium Oscillator Upgrade
- Two-Year Warranty

Product Description

Symmetricon's TymServe. 2100 network time server acquires time from the GPS satellite constellation, IRIG Time Code or Dialup Time Services (NIST, USNO) and distributes time using the Network Time Protocol, NTP. TymServe simplifies the task of implementing an enterprise network synchronization system, offers better timing accuracy, conserves WAN bandwidth, decreases security risk and provides lower cost of ownership.

Network managers and system integrators appreciate the fact that the TymServe is a complete time server in a convenient, selfcontained rack mountable configuration. Configuration is simply a matter of entering the unit's IP address via either the front panel keypad or the RS-232 remote programming port. In addition, the unit has IRIG time code and 1 PPS reference inputs and outputs as well as one 10 MHz output. Network management tools include Simple Network Management Protocol (SNMP) with a custom MIB II extension, remote Telnet access, Dynamic Host Configuration Protocol (DHCP), Bootstrap Protocol (BOOTP) and MD5 access authentication.

The GPS configuration offers a robust concept in network synchronization. GPS satellites continually provide an easily accessible source of high accuracy UTC time. Combining GPS with the standard IRIG B and ACTS dial up service the TymServe 2100 incorporates a solid time reference redundancy scheme. Couple this with an oscillator upgrade to an OCXO or Rubidium oscillator and the TymServe 2100 becomes a very stable and reliable source of time for your network.

Specifications

Electrical and Timing

Outputs

Time code:	BNC	IRIG B, Modulated 3:1, 3V p-p, 75 ohms
	DB9	IRIG B, Differential TTL, DCLS, 50 ohms
1 PPS:	BNC	TTL, Rising edge on-time, 50 ohms
Frequency:	BNC	10 MHz, 50 ohms (clock reference only) Square wave with VCXO Sine wave with OCXO and Rubidium

Inputs

Time code:	BNC	IRIG A, IRIG B, NASA 36 (Modulated 2:1 to 6:1) 500 mV to 10 V p-p, >10 kohms
	DB9	IRIG A, IRIG B, NASA 36 Differential TTL, DCLS, 1 kohms
1 PPS:	HD-15	TTL, Active rising or falling (High trigger is 2 V, low is 0.8 V High Z (> 10k ohms)
GPS:	SMA	Antenna/preamp

Input/Output Connectors

Network:	10BaseT	Ethernet
Serial port A:	RS-232/DB9	DTE, Sysplex Timer, Ext. Modem
Serial port B:	RS-232/DB9	DCE, Configuration and status

Front panel

Front panel keypad:	0 to 9, Menu
Front panel display:	LCD, 2 x 40 character
Front panel indicators:	LED, 'Locked', 'Tracking', 'Power'

Timing accuracy

Network:	1-10 milliseconds, typical
GPS:	<2 microsecond, relative to UTC
IRIG B and NASA 36 Time Code:	<5 microseconds, relative to code input
Dial up service:	<10 milliseconds, on sync
1 PPS:	1 microsecond to input pulse

Oscillator stability

VCXO (standard):	48 milliseconds/day long term "flywheeling"
OCXO (optional):	5 milliseconds/day long term "flywheeling"
Rubidium (optional):	6.5 microseconds/month long term "flywheeling"

Note: IRIG B time code input supports IEEE-1344 Leap Second, Year and Time Figure of Merit enhancements.

Physical & Environmental

Dimensions

Height	1.75 in.	4.45 cm
Width	17 in.	43.18 cm
Depth	12 in.	30.48 cm

Power requirements:	100 to 240 VAC, 50 to 60 Hz, <22 watts (including Rubidium oscillator if installed)
Weight:	<10 lbs 4.5 kg
Operating temperature:	0°C to 50°C
Relative humidity:	0 to 95% (non-condensing)

Network Protocols

- NTPv2 (RFC 1119) & NTPv3 (RFC 1305)
- SNTP (RFC 1361)
- Time protocol (RFC 868)
- SNMP w/custom MIB II extension
- MD5 authentication (NTP)
- BOOTP, DHCP & TFTP
- Telnet
- NIST ACTS and USNO

GPS (optional)

GPS receiver:	Eight channel, C/A code
Antenna size:	3.04" D x 2.94" H - 7.72 cm x 7.47 cm
Antenna operating temp.:	-40°C to +85°C
Acquisition:	<5 minutes
Cable type:	50' (15 m)/RG58

Client Software

An NTP client/daemon is required for client-side synchronization with any network time server, including the TymServe 2100. Included with the 2100 is Symmetricom's SymmTime™ NTP client for Windows 95/98/NT/2000/XP. Comprehensive time client, server & management software for easy distribution, management and monitoring of time across the network is also available.

Product Includes

TymServe 2100 Network Time Server, two-year warranty, power cord, manual, MIB II software, SNTP client software. GPS Option adds: L1 GPS antenna, 50' (15 m) RG-58 antenna cable, 1' (30 cm) antenna mast, two (2) mounting brackets.

Options

- OXCO - Ovenized crystal oscillator (3.0E-9/day)
- LPRO - Rubidium oscillator (5.0E-11/mo)
- AC50 - 50' (15 m) Bullet antenna cable (RG58)
- 100' (30m) Belden 9913 Antenna cable (N/N)
- AC200 - 200' (60m) Belden 9913 antenna cable
- AC300 - 300' (90m) Belden 9913 antenna cable
- GPS antenna down/up converter for cable runs to 1500' (457 m)
- LTNG1 - Lightning arrestor + 25' (7.5 m) cable
- LTNG2 - Lightning arrestor + 50' (15 m) cable
- -48Vdc Power supply
- Rack mount slides
- XFMEXT - External transformer input option
- NTP Network Time Displays:
 - 2" (5 cm), 6 digit, red LEDs
 - 4" (10 cm), 6 digit, red LEDs

Appendix B: Input/Output Connectors

Overview

The TymServe 2100 input/output connectors located on the rear panel of the unit are shown in the figure below. These connectors provide inputs for timing sources, general purpose timing outputs, the Ethernet connector, the GPS connector, an RS-232 Serial Port, and the A/C power entry.

TymServe 2100: Front and Rear Panels

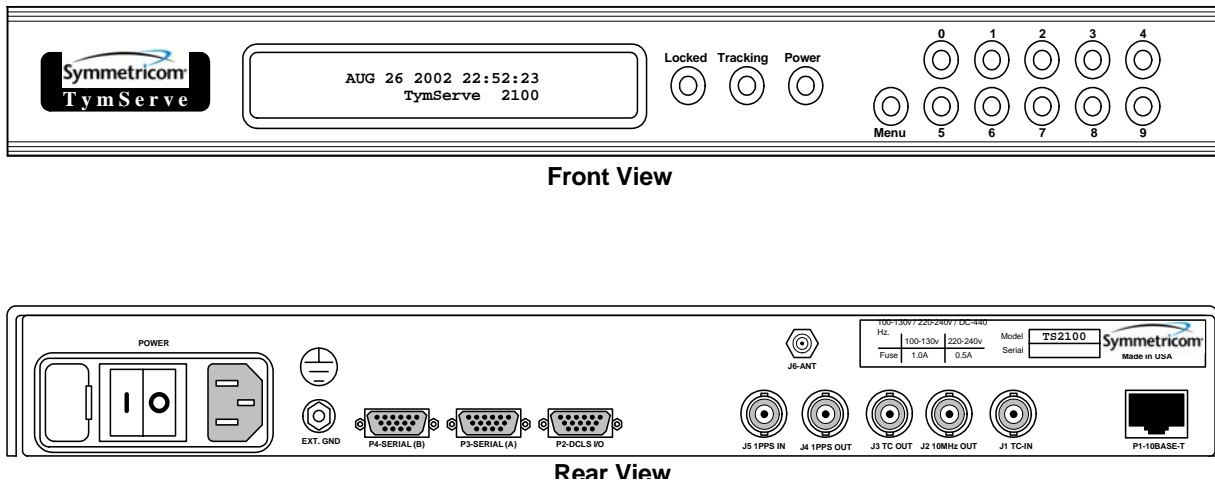


Figure B-2 Front and Rear Views of the TymServe 2100

Pin Descriptions

P1: Ethernet RJ45	
<i>Description: 8-pin Data Jack, Mfr: AMP, Part # 555153-1</i>	
Pin Number	Description
1	TX (+)
2	TX (-)
3	RX (+)
4	N/C
5	N/C
6	RX (-)
7	N/C
8	N/C

P2: DCLS I/O	
<i>Description: 9-pin "D" Socket, Mfr: AMP, Part # 869520-2</i>	
Pin Number	Description
1	External Oscillator Control Voltage
2	Ground
3	Ground
4	DCLS IN (+ or single-ended)
5	DCLS IN (-)
6	DCLS OUT (+)
7	DCLS OUT (-)
8	Reserved (+)
9	Reserved (-)

P3: Serial A (Data Terminal Port/DTE)	
<i>Description: 9-pin “D” Plug, Mfr: AMP, Part # 869436</i>	
Pin Number	Description
1	RS-232 Data Carrier Detect (in)
2	RS-232 Receive Data (in)
3	RS-232 Transmit Data (out)
4	RS-232 Data Terminal Ready (out)
5	Ground
6	RS-232 Data Set Ready (in)
7	RS-232 Request to Send (out)
8	RS-232 Clear to Send (in)
9	RS-232 Ring Indicator (in)

P4: Serial Port B (Setup Port: DCE)	
<i>Description: 9-pin “D” Plug, Mfr: AMP, Part #869436-1</i>	
Pin Number	Description
1	N/C
2	RS-232 Transmit Data (out)
3	RS-232 Receive Data (in)
4	N/C
5	Ground
6	N/C
7	RS-232 Clear to Send (in)
8	RS-232 Request to Send (out)
9	N/C

J1: Time Code In	
<i>Description: BNC Receptacle, Mfr: AMP, Part #413879</i>	
Pin Number	Description
1	Modulated Time Code In
2	Ground

J2: 10MHz Sine Wave	
<i>Description: BNC Receptacle, Mfr: AMP, Part #413879-1</i>	
Pin Number	Description
1	MHz Sine Wave Out
2	Ground

J3: Time Code Out	
<i>Description: BNC Receptacle, Mfr: AMP, Part #413879-1</i>	
Pin Number	Description
1	Modulated Time Code Out
2	Ground

J4: One Pulse Per Second	
<i>Description: BNC Receptacle, Mfr: AMP, Part #413879-1</i>	
Pin Number	Description
1	Pulse Per Second Out
2	Ground

J5: One Pulse Per Second In	
<i>Description: BNC Receptacle, Mfr: AMP, Part #413879-1</i>	
Pin Number	Description
1	Pulse Per Second In
2	Ground

Relay 1: Power Failure Alarm 1	
Pin Number	Description
1	Normally open
2	Common
3	Normally closed

Relay 2: Flywheeling Alarm 2	
Pin Number	Description
1	Normally open
2	Common
3	Normally closed

Appendix C: Firmware Upgrade

Overview on Installing Your New Firmware After Downloading

This *Appendix C* supplements the release file containing the Motorola S-Record for the new firmware image. To upgrade, you will download the new firmware twice: once from the support site into your computer, and again, from your computer into the TS 2100.

There are two ways of loading the new firmware (after downloading) image into your TymServe:

- Remote TFTP protocol loads the new image from the TFTP server through an Ethernet connection to TymServe (preferred method)
- Local RS232: Send the text file through your connection to TymServe through the Serial Port you connect to the TymServe command shell (slower)

Either of these methods requires that the new firmware image be downloaded to a local machine on your network.

The program code that operates TymServe is stored in the flash or non-volatile RAM. A **boot** section is stored separately from the program code to allow for recovery in the event of a catastrophic error during the download of a program update. If such an event occurs, the affected TymServe can be power cycled and will recover to a point sufficient to allow a reload of the program update.

Readability of Displays

Some units have what initially look like unreadable displays. To fix this, adjust the contrast to a readable level by using the 4 or 9 buttons to make the screen text darker or lighter.

Where to Get Your Firmware Upgrade

The latest upgrades of firmware are available for download from the Symmetricom Support Knowledge Base. Go to:

<http://www.symmetricom.com/support>

Specifically, go to:

http://www.symmetricom.com/support/knowledge_base/software_download.aspx?prodtype=TTM&file=TymServe_2100_v3_1.zip

The latest version of firmware is always on the web site. In *Enter keywords (if any)* field, type `tymserver 2100`. In *Choose Category* field, select *Software Downloads* from the drop-down menu. Click **Search**.

A page containing recent firmware versions for the TS 2100 are listed. Currently, the most recent version available is 3.1 (August 22, 2002). To download the Zip file, look for:

- TS 2100 Firmware Release 3.1

Follow any directions provided. In this example, the file:

- `Tymserve_2100_v3_1.zip` appears and downloaded (2.92 MB).

NOTE: When Version 3.1 is downloaded the default for Generate and Decode 1344 is ON. If using an IRIG Time Code input without 1344 the year will always be 2000 and cannot be changed to the desired year unless Decode and Generate 1344 are set to OFF. Decode and Generate 1344 may be turned OFF using the Hyper Terminal program, selecting Timing, then typing dec off and gen off respectively.

The download package consists of:

- `Ts21v3_1.hex` (Firmware)
- `U.G_2100.pdf` (Electronic version of the manual)
- `Readme.txt` (Special issues with current version)

NOTE: When downloading the `ts21v3_1hex.zip` don't unzip the file until you have it on the computer you intend to run the upgrade from. This way, either Win32 or UNIX will handle the translation when unzipping.

NOTE: Although the firmware image file has an extension hex it is *not* a binary file. It is ASCII so translation *must be enabled* when flipping the file back and forth across UNIX and DOS machines. To be safe, use the command `<type ascii>` before transferring the file to any machine by FTP. If you use a GUI FTP client, you must find and disable any auto-sensing file filter. Once you have downloaded the new firmware image, refer to the notes that follow for examples of typical installation.

How to Install Firmware Upgrades into TymServer

Overview

Now that you have downloaded the latest TymServer Firmware, this section deals with how to incorporate it into the TymServer unit.

If you do not have a TFTP server available, some shareware TFTP server applications are available. If you have a Unix platform available, it is likely that it includes a TFTP server. Contact your network administrator for details. TFTP is used where user authentication and directory visibility are not required. TFTP uses the User Datagram Protocol rather than the Transmission Control Protocol (TCP). TFTP is described formally in Request for Comments (RFC) 1350.

For a free TFTP, go to:

http://www.solarwinds.net/Tools/Free_tools/TFTP_Server/

TFTP Procedure

On the available TFTP server, install the new firmware image in a location accessible to the TFTP server daemon. This may be accomplished with TFTP upload, FTP, or even a Unix `cp` depending on your setup.

On the TymServer, use the Telnet command shell to change to the net directory (root net).

Automatic Restart

If you would like the TymServe 2100 to automatically restart after TFTP downloads, confirm that the auto mode is enabled in the 'network' submenu. (`root net auto on`).

To Download and Update the Firmware in TymServer

The following outline provides general steps:

1. If not already, download and install a TFTP program into your computer.
2. Configure the TFTP program.
3. Unzip the downloaded Firmware Zip file to a desired location on your computer.
4. Place the `Ts21v3_1.hex` file* (this contains the Firmware upgrade) in a desired location, if not already.
5. Telnet into the TS 2100.
6. Go to **Start>Run** on your desktop. Type `CMD`. Press **Enter**.
7. At the cursor, type your Telnet IP address. Press **Enter**.

* or the most current HEX file download

Now, execute the following commands (in this order) at the prompt:

```
root net file <filename of most recent firmware hex file>
                Enter. On the next command line, type:
root net host <your TFTP server IP address where the hex file
                resides> Enter. On the next command line, type:
root net TFTP start, Enter.
```

A spinning bar appears while the image is being downloaded into TymServer.

NOTE: If the indicator spins a few times and then stops, or spins for longer than 10 minutes without stopping, an error has occurred. See Chapter 6: FAQ and Troubleshooting, [page 86](#) for troubleshooting such an error. Troubleshooting

If the Download Fails

If download fails through TFTP, **DO NOT RESET YOUR TymServe!** Once you have started the download process, the current image is erased in flash memory. However, a copy of the current image is loaded in RAM and running, which guarantees a normal

operation unless it is restarted. The intrinsic command 'trace' may display data which will help you determine the source of the error. Stop the current transfer (root net tftp stop) and check the configuration data required for TFTP (ip, mask, route, host, file) and try the TFTP download again. If you still have difficulty, try using a TFTP client to download the new firmware to a test platform (Unix or Windows) to determine whether the error is on the TFTP server side or TymServe side. In the event that a restart is required after failure in downloading the new firmware, all is not lost. A permanent 'boot' image is programmed into TymServe. While this version of firmware does not have all the capabilities of the standard code (no SNMP, no HTTP, etc), it does have all necessary components to allow you to download a new firmware. However, the 'boot' version of the firmware has a known issue with TFTP downloads. If an error is encountered, typically due to a collision with other traffic on the network, the TFTP XFER is hung and the user will have to stop and start the download again. If this happens repeatedly, try moving the TS 2100 and the TFTP server to a private network (connected with a hub or crossover cable) just to download the firmware.

After the Download

After the download completes, the system will reboot, so you will need to re-enter the IP address, subnet mask, default gateway. It is important to power down your TymServe at this point so that the network settings take effect.

After you do this, you can reconnect to the TymServe via Telnet, HyperTerminal, or the front panel display.

When the system comes back up, in Telnet or HyperTerminal, type **ver** <Enter> to display the version number and the updated version information, or use the front panel display by pressing **Menu, 3** button.

Some units may have unreadable displays, use the 4 or 9 key to change the contrast to a readable level if TymServe is equipped with front panel display and key pad.

Confirmation Message

After the firmware has been updated, the front of the TymServe will display ***** err *** Flash Env** in the front panel. This is normal after new firmware has been downloaded and indicates that the flash environment size has changed, and all user programmable values (IP) are reset to their default settings.

Once the program update has been successfully downloaded, it will be stored in non-volatile RAM.

Appendix D: Symmetricom MIB Extension

Overview

The following is code and commands for the use of Symmetricom MIB Extension.

Please also refer to several sections in [Chapter 5: SNMP Configuration and Control](#) for more information about Symmetricom MIB.

Symmetricom MIB Extension Code and Commands

```
SYMMETRICOM DEFINITIONS ::= BEGIN
```

```
IMPORTS
```

```
OBJECT-TYPE
```

```
FROM RFC-1212
```

```
FROM RFC1213-MIB
```

```
TRAP-TYPE
```

```
FROM RFC-1215
```

```
enterprises
```

```
FROM RFC1155-SMI;
```

```
SymmetricomMIB OBJECT IDENTIFIER ::= {enterprises 601}
```

```
bancomm OBJECT IDENTIFIER ::= {SymmetricomMIB 1}
```

```
timing OBJECT IDENTIFIER ::= {SymmetricomMIB 2}
```

```
austron OBJECT IDENTIFIER ::= {SymmetricomMIB 3}
```

```
fts OBJECT IDENTIFIER ::= {SymmetricomMIB 4}
```

```
efratom OBJECT IDENTIFIER ::= {SymmetricomMIB 5}
```

```
experiment OBJECT IDENTIFIER ::= {SymmetricomMIB 99}
```

productsOBJECT IDENTIFIER ::= {bancomm 1}

ts2000 OBJECT IDENTIFIER ::= {products 1}

ts2100 OBJECT IDENTIFIER ::= {products 2}

version OBJECT IDENTIFIER ::= {ts2100 1}

ntp OBJECT IDENTIFIER ::= {version 1}

tyming OBJECT IDENTIFIER ::= {version 2}

gps OBJECT IDENTIFIER ::= {version 3}

dialup OBJECT IDENTIFIER ::= {version 4}

net OBJECT IDENTIFIER ::= {version 5}

etc OBJECT IDENTIFIER ::= {version 6}

ntpLeapIndicator OBJECT-TYPE

SYNTAX INTEGER {

nowarning(1),

leapinsertion(2),

leapdeletion(3),

unsynchronized(4)}

ACCESS read-write

STATUS mandatory

DESCRIPTION

"NTP Leap Indicator. This is a two-bit code warning of an impending leap second to be inserted into the NTP timescale. The bits are set before 23:59 on the day of insertion and reset after 00:00 on the following day. This causes the number of seconds (rollover interval) in the day of insertion to be increased or decreased by one. In the case of primary servers the bits are set by operator intervention, while in the case of secondary servers the bits are set by the protocol. The two bits, bit 0 and bit 1, respectively, are coded as follows:

=====

00	no warning
----	------------

01	last minute has 61 seconds
----	----------------------------

10	last minute has 59 seconds
----	----------------------------

11	alarm condition(clock not synchronized)
----	---

=====

In all except the alarm condition(11), NTP itself does nothing with these bits, except pass them on to the time-conversion routines that are not part of NTP. The alarm condition occurs when, for whatever reason, the local clock is not synchronized, such as when first coming up or after an extended period when no primary reference source is available."

::= {ntp 1}

ntpMode OBJECT-TYPE

SYNTAX INTEGER {

unspecified (1),
symactive (2),
sympassive (3),
client (4),
server (5),
broadcast (6),
reservedctl (7),
reservedpriv (8)}

ACCESS read-only

STATUS mandatory

DESCRIPTION

"NTP association mode. This is an integer indicating the association mode, with values coded as follows:

```
=====
0   unspecified
1   symmetric active
2   symmetric passive
3   client
4   server
5   broadcast
6   reserved for NTP control messages
7   reserved for private use
=====
```

Note: In the Symmetricom 2100 series, this value is currently ALWAYS set to 4 (server only)."

::= {ntp 2}

ntpStratum OBJECT-TYPE

SYNTAX INTEGER (0..255)

ACCESS read-only

STATUS mandatory

DESCRIPTION

"Current NTP stratum level. This is an integer indicating the stratum of the local clock with values defined as follows:

```
=====
```

0	unspecified
1	primary reference (e.g., calibrated atomic clock, radio clock)
2-255	secondary reference (via NTP)

```
=====
```

Note: In the Symmetricom 2100 series, this value is currently ALWAYS 1 (primary reference)."

::= { ntp 3 }

ntpPrecision OBJECT-TYPE

SYNTAX INTEGER (-127..127)

ACCESS read-only

STATUS mandatory

DESCRIPTION

"Current NTP precision value. This is a signed integer indicating the precision of the various clocks, in seconds to the nearest power of two. The value must be rounded to the next larger power of two; for instance, a 50-Hz (20ms) or 60-Hz (16.17ms) power-frequency clock would be assigned the value -5 (31.25ms), while a 1000-Hz (1ms) crystal-controlled clock would be assigned the value -9 (1.95ms)."

::= { ntp 4 }

ntpRefClkID OBJECT-TYPE

SYNTAX DisplayString (SIZE (1..40))

ACCESS read-only

STATUS mandatory

DESCRIPTION

"NTP Reference Clock Identifier. This is a 32 bit code identifying the particular reference clock. In the case of stratum 0 (unspecified) or stratum 1 (primary reference), this is a

four-octet, left-justified, zero-padded ASCII string. While not enumerated as part of the NTP spec, the following are suggested ASCII identifiers:

```

=====
DCN      DCN routing protocol
NIST     NIST public modem
TSP      TSP time protocol
DTS      Digital Time Service
ATOM     Atomic clock (calibrated)
VLF      VLF radio (OMEGA,etc.)
callsign Generic radio
LORC     LORAN-C radionavigation
GOES     GOES UHF environment satellite
GPS      GPS UHF satellite positioning
=====

```

The following ref ids are used by the 2100:

```

GPS     TS2100-GPS (GPS satellite)
FREE    TS2100-ALL (INTERNAL CLOCK)"

```

```
::= {ntp 5}
```

ntpRefTime OBJECT-TYPE

```
SYNTAX DisplayString (SIZE(1..40))
```

```
ACCESS read-only
```

```
STATUS mandatory
```

```
DESCRIPTION
```

"NTP Reference Timestamp. This is the time, in timestamp format (converted to DisplayString), when the local clock was last updated. If the local clock has never been synchronized, the value is zero."

```
::= {ntp 6}
```

ntpVersion OBJECT-TYPE

```
SYNTAX INTEGER (0..127)
```

```
ACCESS read-only
```

```
STATUS mandatory
```

```
DESCRIPTION
```

"NTP Version. This is an integer indicating the version number of the sender. NTP messages will always be sent with the current version number NTP.VERSION and will always be accepted if the version number matches NTP.VERSION. Exceptions may be advised on a case-by-case basis at times when the version number is changed.

=====

Note: The 2100 series was implemented using NTP version 3. However, the 2100 series will accept a version of 2 or 3 and return the same version number in the packet. This behavior is subject to change."

::= {ntp 7}

ntpAuthOnOff OBJECT-TYPE

SYNTAX INTEGER (0..1)

ACCESS read-write

STATUS mandatory

DESCRIPTION

"Enable or disable MD5 Authentication Mode."

::= {ntp 8}

ntpAuthOnlyOnOff OBJECT-TYPE

SYNTAX INTEGER (0..1)

ACCESS read-write

STATUS mandatory

DESCRIPTION

"Enable or disable MD5 Authentication Only Mode."

::= {ntp 9}

ntpNumberRequests OBJECT-TYPE

SYNTAX INTEGER (0..32768)

ACCESS read-write

STATUS mandatory

DESCRIPTION "This variable is a rollover counter which reflects the number of ntp packets received by the 2100. It is valid for all versions of the 2100. The counter may be set to 0."

::= {ntp 10}

ntpLeapChange TRAP-TYPE

ENTERPRISE ntp

VARIABLES {ntpLeapIndicator}

DESCRIPTION "The trap indicates a change in state of the ntp leap indicator. It will pass the new value of the leap indicator."

::=0

tyimingTimeSrcUTCOffset OBJECT-TYPE

SYNTAX INTEGER (-11..12)

ACCESS read-write

STATUS mandatory

DESCRIPTION "This variable is valid for the 2100-IRIG or the 2100-GPS when operating in IRIG decoder mode. The variable represents the offset of the input timecode from UTC in signed hours. The allowable values for this variable are -11 through 12. If this variable is queried on the 2100-ACTS it will return 0."

::= {tyiming 1}

tyimingStatus OBJECT-TYPE

SYNTAX DisplayString (SIZE(1..40))

ACCESS read-only

STATUS mandatory

DESCRIPTION "This variable reflects the current status information on the 2100 Time and Frequency Processor. This info is only available on the IRIG and GPS versions. The string will indicate either Tracking or Flywheeling. This is a direct reflection of bit 0 of the 2100 status bit 0. Bits 1 & 2 are not relevant for network users.

Status Register Definitions

=====
bit 0 1 = flywheeling (not locked)

0 = locked(to selected reference)

bit 1 1 = time offset > X microseconds

0 = time offset < X microseconds

(X = 5 for IRIG | X = 2 for GPS)

bit 2 1 = frequency offset > 5E8

0 = frequency offset < 5E8
=====

::= {tyiming 2}
tyimingMode OBJECT-TYPE
 SYNTAX INTEGER {
 timecode (1),
 freerun (2),
 internal (3),
 gps (7)}
 ACCESS read-write
 STATUS mandatory
 DESCRIPTION "Operating mode of the timing engine."

::= {tyiming 3}

tyimingTime OBJECT-TYPE
 SYNTAX DisplayString (SIZE(1..40))
 ACCESS read-write
 STATUS mandatory
 DESCRIPTION "Time returned from the time registers."

::= {tyiming 4}

tyimingEventTime OBJECT-TYPE
 SYNTAX DisplayString (SIZE(1..40))
 ACCESS read-only
 STATUS mandatory
 DESCRIPTION "Time returned from the event registers."

::= {tyiming 5}

tyimingYear OBJECT-TYPE
 SYNTAX INTEGER
 ACCESS read-write
 STATUS mandatory
 DESCRIPTION "Year used by timing engine."

::= {tyiming 6}

tyimingInTcFormat OBJECT-TYPE

```
SYNTAX INTEGER {
    tcIRIGA (65),
    tcIRIGB (66),
    tc2137 (67),
    tcNASA36 (78),
    tcXR3 (88)}
ACCESS read-write
STATUS mandatory
DESCRIPTION "Format of the input timecode (i.e. B,N)."
::= {tyiming 7}
```

```
tyimingInTcModulation OBJECT-TYPE
    SYNTAX INTEGER {
        dclevel (68),
        modulated (77)}
    ACCESS read-write
    STATUS mandatory
    DESCRIPTION "AM or DC format timecode."
::= {tyiming 8}
```

```
tyimingOutTcFormat OBJECT-TYPE
    SYNTAX INTEGER {
        tcIRIGB (66)}
    ACCESS read-write
    STATUS mandatory
    DESCRIPTION "Timecode Generator output format."
::= {tyiming 9}
```

```
tyimingVersion OBJECT-TYPE
    SYNTAX DisplayString (SIZE(1..40))
    ACCESS read-only
    STATUS mandatory
    DESCRIPTION "String containing timing engine version and
creation date and time."
```

::= {tyiming 10}

tyimingLeapSeconds OBJECT-TYPE

SYNTAX INTEGER (0..255)

ACCESS read-write

STATUS mandatory

DESCRIPTION "Current leap second count in timing engine."

::= {tyiming 11}

tyimingD2a OBJECT-TYPE

SYNTAX INTEGER (0..65535)

ACCESS read-write

STATUS mandatory

DESCRIPTION "oscillator disciplining d2a value."

::= {tyiming 12}

tyimingKval OBJECT-TYPE

SYNTAX DisplayString (SIZE(1..40))

ACCESS read-write

STATUS mandatory

DESCRIPTION "Oscillator disciplining filter constant value."

::= {tyiming 13}

tyimingFlyPeriod OBJECT-TYPE

SYNTAX INTEGER

ACCESS read-write

STATUS mandatory

DESCRIPTION

"Period in seconds of allowable flywheeling before the tyimingFlywheel trap will be sent. If the value is set to 0, the trap will never be generated."

::= {tyiming 14}

tyimingFlywheel TRAP-TYPE

ENTERPRISE tyiming

VARIABLES {ntpRefTime}

DESCRIPTION

"The trap is intended to provide notification of extended flywheeling events. The user programmable value `tymingFlyPeriod` is the number of seconds the 2100 may flywheeling before a trap is sent."

::=0

`gpsPosition` OBJECT-TYPE

SYNTAX DisplayString (SIZE(1..80))

ACCESS read-only

STATUS mandatory

DESCRIPTION

"This variable returns a position fix. It is only valid on the 2100-GPS. The returned string will contain the latitude & longitude expressed in degrees & minutes and the altitude in meters. If this variable is queried on the 2100-IRIG or 2100-ACTS the returned value will be N/A."

::= { gps 1 }

`gpsVelocity` OBJECT-TYPE

SYNTAX DisplayString (SIZE(1..80))

ACCESS read-only

STATUS mandatory

DESCRIPTION

"This variable returns a velocity fix. It is only valid on the 2100-GPS. The returned string will contain the East-North-Up velocity expressed in meters/second. If this variable is queried on the 2100-IRIG or 2100-ACTS the returned value will be N/A."

::= { gps 2 }

`gpsUTCOffset` OBJECT-TYPE

SYNTAX INTEGER (0..127)

ACCESS read-write

STATUS mandatory

DESCRIPTION

"This variable returns the current offset between the monotonic time maintained by the GPS satellite constellation and UTC time. This value is commonly referred to as the leap second count. It is only valid on the 2100-GPS. This value is obtained from the GPS receiver but there may be a time lag between the incidence of a leap second correction and the capture of that correction by the 2100-GPS. For this reason the user is allowed to program the leap second value which will be used until the 2100-GPS receives the leap

second count from the GPS satellite constellation. If this variable is queried on the 2100-IRIG or 2100-ACTS the value returned will be 0."

::= {gps 3}

gpsHealth OBJECT-TYPE

SYNTAX DisplayString (SIZE(1..80))

ACCESS read-only

STATUS mandatory

DESCRIPTION "Health packet from GPS."

::= {gps 4}

gpsAllInView OBJECT-TYPE

SYNTAX DisplayString (SIZE(1..80))

ACCESS read-only

STATUS mandatory

DESCRIPTION "Satellites in view packet from GPS."

::= {gps 5}

gpsMode OBJECT-TYPE

SYNTAX INTEGER (0..20)

ACCESS read-write

STATUS mandatory

DESCRIPTION "GPS Receiver Operating Mode."

::= {gps 6}

gpsDynamicsCode OBJECT-TYPE

SYNTAX INTEGER { land (1), sea (2), air (3), static (4)}

ACCESS read-write

STATUS mandatory

DESCRIPTION "GPS Receiver Dynamics Code."

::= {gps 7}

dialForceCall OBJECT-TYPE

SYNTAX INTEGER (0..1)

ACCESS read-write

STATUS mandatory

DESCRIPTION "The variable is used to either initiate a call to the NIST ACTS service or abort a call that is in progress. It is only valid on the 2100-ACTS. Reading this value will return abort(0) if offline and call(1) if online. Sending a set of this value to 0 or 1 will cause the 2100-ACTS to take the appropriate action."

::= { dialup 1 }

dialCallRefTime OBJECT-TYPE

SYNTAX DisplayString (SIZE(1..40))

ACCESS read-write

STATUS mandatory

DESCRIPTION "FORMAT: MM/DD/HH. All 8 digits are required for set requests. Use \ or/as delimiters. The variable is used to read or set the call reference time. It is only valid on the 2100-ACTS. For more information on this variable, refer to the 2100 Users Manual. If this variable is queried on the 2100-GPS or 2100-IRIG it will return N/A."

::= { dialup 2 }

dialCallInterval OBJECT-TYPE

SYNTAX DisplayString (SIZE(1..40))

ACCESS read-write

STATUS mandatory

DESCRIPTION "FORMAT: MM/DD/HH. All 8 digits are required for set requests. Use \ or/as delimiters. The variable is used to read or set the call interval time. It is only valid on the 2100-ACTS. For more information on this variable, refer to the 2100 Users Manual. If this variable is queried on the 2100-GPS or 2100-IRIG it will return N/A."

::= { dialup 3 }

dialCallOnReset OBJECT-TYPE

SYNTAX INTEGER (0..1)

ACCESS read-write

STATUS mandatory

DESCRIPTION "The variable is used to read or set the 2100- ACTS Reset behavior. It is only valid on the 2100-ACTS. For more information on this variable, refer to the 2100 Users Manual. If this variable is queried on the 2100-GPS or 2100-IRIG it will return 0."

::= { dialup 4 }

dialInitString OBJECT-TYPE

SYNTAX DisplayString (SIZE(1..40))

ACCESS read-write

STATUS mandatory

DESCRIPTION "The variable is used to read or set the NIST ACTS dial prefix. It is only valid on the 2100-ACTS. For more information on this variable, refer to the 2100 Users Manual. If this variable is queried on the 2100-GPS or 2100-IRIG it will return N/A."

::= { dialup 5 }

dialPhonePrefix OBJECT-TYPE

SYNTAX DisplayString (SIZE(1..40))

ACCESS read-write

STATUS mandatory

DESCRIPTION "The variable is used to read or set the NISTACTS dial prefix. It is only valid on the 2100-ACTS. For more information on this variable, refer to the 2100 Users Manual. If this variable is queried on the 2100-GPS or 2100-IRIG it will return N/A."

::= { dialup 6 }

dialPhoneNumber OBJECT-TYPE

SYNTAX DisplayString (SIZE(1..40))

ACCESS read-write

STATUS mandatory

DESCRIPTION "The variable is used to read or set the NISTACTS phone number. It is only valid on the 2100-ACTS. For more information on this variable, refer to the 2100 Users Manual. If this variable is queried on the 2100-GPS or 2100-IRIG it will return N/A."

::= { dialup 7 }

dialServiceType OBJECT-TYPE

SYNTAX INTEGER (0..6)

ACCESS read-write

STATUS mandatory

DESCRIPTION "The variable is used to read or set the type of time service being accessed."

::= { dialup 8 }

netTftpHost OBJECT-TYPE

```
SYNTAX DisplayString (SIZE(1..40))
ACCESS read-write
STATUS mandatory
DESCRIPTION "Ip address of tftp host machine."
 ::= {net 1}

netTftpFile OBJECT-TYPE
    SYNTAX DisplayString (SIZE(1..40))
    ACCESS read-write
    STATUS mandatory
    DESCRIPTION "File name of boot file image for tftp."
 ::= {net 2}

netAutoRestart OBJECT-TYPE
    SYNTAX INTEGER (0..1)
    ACCESS read-write
    STATUS mandatory
    DESCRIPTION "Enable or disable automatic restarts after downloading new firmware."
 ::= {net 3}

netRestart OBJECT-TYPE
    SYNTAX INTEGER (0..1)
    ACCESS write-only
    STATUS mandatory
    DESCRIPTION "Force a restart of the 2100."
 ::= {net 4}

netAutoTftp OBJECT-TYPE
    SYNTAX INTEGER (0..1)
    ACCESS read-write
    STATUS mandatory
    DESCRIPTION "Enable or disable automatic tftp downloads on power up."
 ::= {net 5}

netTftpSession OBJECT-TYPE
```

SYNTAX INTEGER (0..1)
ACCESS read-write
STATUS mandatory
DESCRIPTION "Start or stop a tftp session."
::= {net 6}

netAutoDhcp OBJECT-TYPE
SYNTAX INTEGER (0..1)
ACCESS read-write
STATUS mandatory
DESCRIPTION "Enable or disable automatic bootp on power up."
::= {net 7}

netDhcpSession OBJECT-TYPE
SYNTAX INTEGER (0..1)
ACCESS read-write
STATUS mandatory
DESCRIPTION "Start or stop a bootp session."
::= {net 8}

etcBootVersion OBJECT-TYPE
SYNTAX DisplayString (SIZE(1..40))
ACCESS read-only
STATUS mandatory
DESCRIPTION "Version and creation date and timestamp for the bootstrap firmware."
::= {etc 1}

etcOpVersion OBJECT-TYPE
SYNTAX DisplayString (SIZE(1..40))
ACCESS read-only
STATUS mandatory
DESCRIPTION "Version and creation date and timestamp for the runtime firmware."
::= {etc 2}

etcSerialNbr OBJECT-TYPE

```
SYNTAX DisplayString (SIZE(1..40))
ACCESS read-only
STATUS mandatory
DESCRIPTION "Unique serial number burned into each unit."
::= {etc 3}

etcImageLoc OBJECT-TYPE
    SYNTAX INTEGER
    ACCESS read-write
    STATUS mandatory
    DESCRIPTION "Start location for the image download."
::= {etc 4}

etcInfo OBJECT-TYPE
    SYNTAX INTEGER (0..65535)
    ACCESS read-write
    STATUS mandatory
DESCRIPTION "Get or set the value of the info bit on the 2100. Not used in standard
product at this time."
::= {etc 5}

etcSysplexOnOff OBJECT-TYPE
    SYNTAX INTEGER (0..1)
    ACCESS read-write
    STATUS mandatory
DESCRIPTION "Enable or disable the sysplex first protocol output on the 2100 Serial
Port."
::= {etc 6}

END
```

Appendix E: Glossary

Time Glossary Terms

This section defines some of the commonly-used TymServe and network time-related terms.

For additional details about time-related concepts, see the *FAQ* section of Chapter 6 in this *User Guide*.

Access Control

The mechanisms of limiting entry to resources based on users' identities and their membership in various predefined groups. The network resources with these access restrictions typically are servers, directories, and files.

ACTS

Automated Computer Time System, a NIST service that provides announced time via telephone.

Advanced Encryption Standard (AES)

Developed by NIST and private companies, this standard is 256-bit based and is a stronger defense for sensitive material when compared to 40-bit or 128-bit.

Algorithm

A clearly specified mathematical process for computation, or set of rules which, if followed, will give a prescribed result.

ANSI

American National Standards Institute, the organization responsible for approving US standards in many categories, including computers and communications. Standards approved by this organization are often called ANSI standards.

Antiwarrant

Attribute certificate that has the same expire date as its valid date; in other words, it was never valid. This is still sent, at times, because it contains other information that the system needs. See also *Warrant*

API

Application Program Interface. This interface allows software developers to write their software so that it can communicate with the computer's operating system or other programs.

ASCII

American Standards Code Information Interchange, a code in which each alphanumeric character is represented as a number from 0 to 127, in binary code so the computer can understand it. Its simplicity allows diverse computers to understand one another.

ATM

Asynchronous Transfer Mode, or ATM switching. This is a type of packet switching that makes it possible to transmit data at high speeds over a network. It also allows dynamic allocation of bandwidth, meaning users get only the bandwidth they need and are charged accordingly.

Attribute Certificate

A type of certificate that emphasizes certification of access rights and constraints. This is in contrast to Identity Certificate, which binds a distinguished name (DN) and a public key. Commonly, attribute certificates are issued with short validity periods and do not contain a public key value.

Audit Trail

A series of events, usually kept in and managed by a computer-based log, that give proof of a defined activity.

Authentication

The process by which people (or applications) who receive a certificate can verify the identity of the certificate's owner and the validity of the certificate. Certificates are used to identify the author of a message or an entity such as a Web server or StampServer.

Authorization

The granting of access rights to a user, program, or process. Once you have authenticated a user, the user may be allowed different types of access or activity.

BCD

Binary Coded Decimal. Also called packed decimal, this is the representation of a number by using 0s and 1s, or four-bit binary numbers. So the number 29 would be encoded as 0010 1001.

Bureau International de l'Heure (BIPM)

The worldwide organization that coordinates standard frequencies and time signals, the BIPM maintains Coordinated Universal Time (UTC).

Calibration

To fix the graduations of time measurement against the established national standard, including any periodic corrections that should be made.

CDSA

Common Data Security Architecture describes the security structure for an entire network. It is unique to each network because security is managed differently for each.

Certificate

Certificates are used to verify the identity of an individual, organization, Web server, or hardware device. They are also used to ensure non-repudiation in business transactions, as well as enable confidentiality through the use of public-key encryption.

Certificate Authority (CA)

A trusted entity that issues a certificate after verifying the identity of the person or program or process that the certificate is intended to identify. A CA also renews and revokes certificates and, at regular intervals, generates a list of revoked certificates.

Certificate Extension

An extension of the X.509 standard that lets the certificate hold additional identifying information.

Certificate Request

A request containing a user's public key, distinguished name (DN), and other data that is submitted to a Certificate Authority (CA) in order to receive a certificate.

Certificate Revocation List (CRL)

CRLs list certificates that have been revoked by a particular CA. Revocation lists are vital when certificates have been stolen, for example.

Certification Path

A specified sequence of issued certificates necessary for the user to get their key.

Confidentiality

Keeping secret data from unauthorized eyes.

Content Filtering

A filter that screens out data by checking (for example) URLs or key words.

Coordinated Universal Time (UTC)

The international time standard is called Coordinated Universal Time or, more commonly, UTC, for "Universal Time, Coordinated". This standard has been in effect since being decided on 1972 by worldwide representatives within the International Telecommunication Union. UTC is maintained by the Bureau International de l'Heure (BIPM) which forms the basis of a coordinated dissemination of standard frequencies and time signals. The acronyms UTC and BIPM are each a compromise among all the participating nations.

CR

See Certificate Request

Credential(s)

Much like a photo ID or birth certificate, electronic credentials are recognized as proof of a party's identity and security level. Examples: certificate, logon ID, secure ID, and so forth.

Cross-Certificate

Two or more Certificate Authorities (CAs) which issue certificates (cross-certificates) to establish a trust relationship between themselves.

Cryptography

See Encryption

Data Encryption Standard (DES)

Encryption method in which both the sender and receiver of a message share a single key that decrypts the message.

Secure Network Time Protocol (DS/NTP)

The protocol created by Symmetricom, based on NTP, that includes additional security features.

DCLS

Direct Current Level Shift, or digital IRIG.

Decryption

The transformation of unintelligible data ("ciphertext") into original data ("clear text").

Denial of Service

When a network is flooded with traffic through any of a variety of methods, the systems cannot respond normally, so service is curtailed or denied. This is a favorite technique of network saboteurs.

DES

See Data Encryption Standard (DES)

DHCP

Dynamic Host Configuration Protocol is a standards-based protocol for dynamically allocating and managing IP addresses. DHCP runs between individual computers and a DHCP server to allocate and assign IP addresses to the computers as well as limit the time for which the computer can use the address.

Diffie-Hellman

A key-agreement algorithm used to create a random number that can be used as a key over an insecure channel.

Digital Certificates

Digital Certificates are issued by a Certificate Authority (CA), which verifies the identification of the sender. The certificate is attached to an electronic message, so the recipient knows the sender is really who they claim to be.

Digital Fingerprint

Similar to digital signature, a digital fingerprint is the encryption of a message digest with a private key.

Digital Signature

Like a digital certificate, a digital signature is a data string that is verified by a Certificate Authority, and is attached to an electronic message so that it can verify that the sender is really who they claim to be. The difference between a digital certificate and a digital signature is found in how the message is encrypted and decrypted.

Digital Signature Algorithm (DSA)

The asymmetric algorithm that is at the core of the digital signature standard. DSA is a public-key method based on the discrete logarithm problem.

Digital Signature Standard (DSS)

A NIST standard for digital signatures, used to authenticate both a message and the signer. DSS has a security level comparable to RSA (Rivest-Shamir-Adleman) cryptography, having 1,024-bit keys.

Digital Time-Stamp

See Time-Stamp

Directory

The directory is the storage area for network security information such as keys or server names.

DSA

See Digital Signature Algorithm (DSA).

DS/NTP

Symmetricon Secure Network Time Protocol, the protocol created by Symmetricon, based on NTP, that includes additional security features.

DSS

See Digital Signature Standard (DSS)

DTT

Symmetricon Temporal Token

Element Manager (ENMTMS)

Software that manages the components of an application.

Encryption

The transformation of clear data (clear text) into unintelligible data (ciphertext). *Asymmetric* encryption, also known as Public Key encryption, allows for the trading of information without having to share the key used to encrypt the information. Information is encrypted using the recipient's public key and then the recipient decrypts the information with their private key. *Symmetric* encryption, also known as Private Key encryption, allows information to be encrypted and decrypted with the same key. Thus the key must be shared with the decrypting party--but anyone who intercepts the key can also use it.

Ephemeris Time

Time obtained from observing the motion of the moon around the earth.

FIPS

Federal (US) Information Processing Standards are a set of standards for document processing and for working within documents. Some commonly-used FIPS standards are 140-1, 140-2, and 180.

Firewall

Firewalls are software and hardware systems that define access between two networks, offering protection from outside data that could be harmful, such as a virus sent via the Internet.

GMT

Greenwich Mean Time, the mean solar time of the meridian of Greenwich, England, used until 1972 as a basis for calculating standard time throughout the world.

GPS

Global Positioning System. The GPS is a constellation of 24 (or more) US Department of Defense satellites orbiting the earth twice a day.

Hack/crack

"Hackers" are unauthorized programmers who write code that enables them to break into a computer network or program. "Crackers" are unauthorized programmers whose goal it is to break into computer networks or programs protected by security software or hardware.

Hash

Also called "hash function" or hashing, used extensively in many encryption algorithms. Hashing transforms a string of characters usually into a shorter, fixed-length value or key. Information in a database is faster to search when you use a hashed key, than if you were to try to match the original data.

HTML

HyperText Markup Language, the computer language used to create pages for the World Wide Web.

HTTP

HyperText Transfer (or Transport) Protocol, the protocol most often used to transfer information from World Wide Web servers to users of the Web.

HTTPS

HTTP over an SSL connection.

Identity Certificate

Also called Digital Certificates. The hash creates a message digest based on the contents of the message. The message is then encrypted using the publisher's private key, then it is appended to the original message.

IEEE

Institute of Electrical and Electronic Engineers, an international organization that sets standards for electrical and computer engineering.

IETF

Internet Engineering Task Force, an international organization which sets standards for Internet protocols in their *Request for Comment* (RFC) papers.

These papers are numbered (RFC 1305, RFC 868, and so on) and are referred to by engineers worldwide as they work on technologies that support IETF standards.

IKE

Internet Key Exchange, a security system that uses a private key and an exchange key that encrypts private keys. Passwords are delivered via the Internet.

In-band Authentication

When you use PKI—which involves public keys and a private key—for authentication, it is called in-band authentication.

Integrity

Data that has retained its integrity has not been modified or tampered with.

IPSec

Internet Protocol Security describes the IETF protocols that protect the secure exchange of packets on the IP layer.

IRIG

InteRange Instrumentation Group is an analog standard for serial time formats.

Irrefutable

See Non-repudiation

ITU

International Telecommunications Union, the international organization that sets standards for data communication.

Key

An alphanumeric string that encrypts and decrypts data.

Key Escrow

A secure storage maintained by a trusted third party, which holds keys.

Key Generation

Creation of a key.

Key Management

The process by which keys are created, authenticated, issued, distributed, stored, recovered, and revoked.

Key Pair

Two integrated keys: one public, one private.

Key Recovery

The process of recovering a private decryption key from a secure archive for the purposes of recovering data that has been encrypted with the corresponding encryption key.

L1 Band, L2 Band

Each Navstar GPS satellite currently transmits in two dedicated frequency bands: L1 and L2, which is centered on 1227.6 MHz. L1 carries one encrypted signal, as does L2, both being reserved for the military. L1 also carries one unencrypted signal, for civilian use.

LDAP

The Lightweight Directory Access Protocol is the standard Internet protocol for accessing directory servers over a network.

Leap Seconds

Today's scientists and engineers have perfected clocks based on a resonance in cesium atoms to an accuracy of better than one part in 10 trillion. These clocks keep pace with each other to within one two- or three-millionth of a second over a year's time. The earth, on the other hand, might randomly accumulate nearly a full second's error during a given year. To keep coordinated with the rotation of the earth, this error is added to (or deleted from) UTC time as a leap second, on the last day of the June or December in that year.

The TymServe displays and outputs a leap second insertion as an extra "00". An observer would see the following progression in the seconds portion of the display/output:

59...

00...

00...

01...

MD5

An algorithm for creating a cryptographic hash (or "fingerprint") of a message or of data.

Message Authentication Code (MAC)

A MAC is a function that takes a variable length input and a key to produce a fixed-length output.

Message Digest

The hash of a message.

See also: Hash

MIB

Management Information Base, a database on the network that tracks, records, and corrects performance for each device on the network.

MTBF

Mean Time Between Failure, a measure of reliability. The longer the time span between failures, the more reliable the device.

Multiplexing

Process during which two or more signals are combined into one; at the other end, signals are "unbundled" by a demultiplexer. *TDM* is Time Division Multiplexing, *FDM* is Frequency Division Multiplexing.

National Measurement Institute (NMI)

Also known as National Metrology Institute(s), the National Measurement Institute(s) is the national authority in each country that is usually recognized as the source of official time.

Network Time Management System (NTMS)

Symmetricon's architecture for the use of its Time family of products.

NIST

National Institute of Standards and Technology, the National Measurement Institute in the United States. NIST produces standards for security and cryptography through in the form of FIPS documents.

NMI Server

National Measurement Institute Server

NOC

A Network Operations Center is a centralized point of network management within a large-scale data network.

Non-repudiation

The Time time-stamp creates an evidentiary trail to a reliable time source that prevents a party in a transaction from later denying when the transaction took place.

Notarization

Certification of the identity of the party in a transaction based on identifying credentials.

NTMS

Network Time Management System is a Symmetricom network management platform that provides secure management of Time infrastructure devices.

NTP

Network Time Protocol is a protocol that provides a reliable way of transmitting and receiving the time over the TCP/IP networks. The NTP, defined in IETF RFC 1305, is useful for synchronizing the internal clock of the computers to a common time source.

OCSP

Online Certificate Status Protocol, a protocol defined in RFC 2560, enables applications to check the status of a certificate every time the certificate is used.

OID

Object Identifier

Online validation

A way of validating a key each time before it is used to verify that it has not expired or been revoked.

OSI

Operations System Interface

Out-of-band Authentication

When authentication is performed using relatively insecure methods, such as over the telephone, it is called out-of-band authentication. In-band authentication, which uses PKI, is preferred.

PCI

Peripheral Component Interconnect, a local bus that supports high-speed connection with peripherals. It plugs into a PCI slot on the motherboard.

PKCS

Public Key Cryptography Standards. These standards allow compatibility among different cryptographic products.

PKI

Public Key Infrastructure. The PKI includes the Certificate Authority (CA), key directory, and management. Other components such as key recovery, and registration, may be included. The result is a form of cryptography in which each user has a Public Key and a Private Key. Messages are sent encrypted with the receiver's public key; the receiver decrypts them using the private key.

PKI Certificate

See Digital Certificates

PKIX

Extended Public Key Infrastructure, or PKI with additional features approved by the IETF.

Private Key

This is a secret key, known to only one of the parties involved in a transaction.

PSTN

Public Switched Telephone Network, a voice and data communications service for the general public which uses switched lines.

Public Key

Messages are sent encrypted with the recipient's public key, which is known to others; the recipient decrypts them using their private key.

Public Key Certificate

Certificate in the form of data that holds a public key, authentication information, and private key information.

RA

A Registration Authority (RA) does not issue certificates, but does the required identification for certain certificate data.

Resolution

Resolution of a time code refers to the smallest increment of time, whether it is days, hours, seconds, or other.

Revocation

The withdrawing of a certificate by a Certificate Authority before its expiration date or time.

Also see Certificate Revocation List (CRL)

Risk Management

The tasks and plans that help avoid security risk, and if security is breached, helps minimize damage.

Root CA

A Certificate Authority (CA) whose certificate is self-signed; that is, the issuer and the subject are the same. A root CA is at the top of a hierarchy.

Root Time Trust Authority (RTTA)

Also called Root Time Trust Services, these are end user organizations who provide time calibration and auditing services. Examples include Seiko Instruments, Inc., and Sovereign Time.

RSA

The RSA (Rivest-Shamir-Andleman) algorithm is a public-key encryption technology developed by RSA Data Security.

SHA-1

Secure Hash Algorithm is an algorithm developed by the US National Institute of Standards and Technology (NIST). SHA-1 is used to create a cryptographic hash of a message or data. It has a larger message digest, so it is considered to be somewhat stronger than MD5.

Smart card

A card the size of a credit card, which holds a microprocessor that stores information.

S/MIME

Secure Multipurpose Internet Mail Extensions. The standard for secure messaging.

SNMP

Simple Network Management Protocol is the Internet standard protocol for network management software. It monitors devices on the network, and gathers device performance data for management information (data)bases ("MIB").

Solar Time

Time based on the revolution of the earth around the sun.

SSL

Secure Sockets Layer, a protocol that allows secure communications on the World Wide Web/Internet.

SSL Client Authentication

Part of the SSL "handshake" process, when the client responds to server requests for a key.

SSL-LDAP

Secure Sockets Layer-Lightweight Directory Access Protocol.

SSL Server Authentication

Part of the SSL "handshake" process, when the server informs the client of its certificate (and other) preferences.

Stratum Levels

These are standards set by Network Time Protocol RFC 1305. The highest level are Stratum 0 devices such as GPS, which get their time from a primary time source such as a national atomic clock. Stratum 1 servers source their time from a Stratum 0 device. Stratum 2 and beyond obtain their time from Stratum 1 servers. The further removed in stratum layers a network is from a primary source, the greater the chance of signal degradations due to variations in communications lines and other factors.

Sysplex Timer

The Sysplex Timer provides a synchronized Time-of-Day clock for multiple attached computers.

TCCert

Time Calibration Certificate

TCP/IP

A mainstay of the Internet, the Transmission Control Protocol (TCP) provides dependable communication and multiplexing. It is connection-oriented, meaning it requires a connection be established data transfer. It sits on top of the Internet Protocol (IP), which provides packet routing. This is connectionless, meaning each data packet has its source and destination data embedded, so it can bounce around a network and still get to its destination.

Telnet

Telnet is a terminal emulation application protocol that enables a user to log in remotely across a TCP/IP network to any host supporting this protocol. The keystrokes that the user enters at the computer or terminal are delivered to the remote machine, and the remote computer response is delivered back to the user's computer or terminal.

TFTP

TFTP is a UDP-based, connectionless protocol.

Time Signing

The process by which a stampserver issues a digital signature of the time stamp, then encrypts it.

Time-Stamp

A record mathematically linking a piece of data to a time and date.

Time-Stamp Request

The client computer or application sends a time-stamp request to a stamp server.

Time-Stamp Token

The essential part of the time-stamp. It contains the time, the message digest/the message imprint (hash), and it is signed to verify the accuracy of that time. In detail, it is a signed data object where the encapsulated content is a TSTInfoObject, thus it verifies the stamp as coming from the device you submitted it to, and it is bound to the file you are working with.

Time-Stamping Authority

An authorized device that issues time-stamps, and its owner.

TLS

Transport Layer Security, security that protects the OSI layer that is responsible for reliable end-to-end data transfer between end systems.

Token

See Time-Stamp Token

Tool box

A group of software applications that have similar functions.

TMC

See Time MasterClock (TMC)

TPC

Third Party Certificate

See also: Certificate

TPCA

Third Party Certification/Certificate Authority.

See also: Certificate Authority (CA)

Traceability

Traceability infers that the time standard used on the time-stamp server was set using time directly or indirectly from a National Measurement Institute (NMI).

Transaction

An activity, such as a request or an exchange.

Triple-DES

Also called Triple Data Encryption Algorithm (TDEA), Data Encryption Standard is an algorithm that encrypts blocks of data.

Trust

In the network security context, trust refers to privacy (the data is not viewable by unauthorized people), integrity (the data stays in its true form), non-repudiation (the publisher cannot say they did not send it), and authentication (the publisher--and recipient--are who they say they are).

Time Infrastructure

The internal architecture of Symmetricom's Time products.

Time NMI Server

Symmetricom's NMI Time Server, or NMIServer, is a standalone secure server based on the MasterClock, which is dedicated to the creation of UTC time at the NMI.

Time StampServer (TS)

Symmetricom's Time StampServer (TSS) services time-stamp requests from applications, transactions, or computer logs.

Time MasterClock (TMC)

Symmetricom's Trusted MasterClock is a rubidium-based master clock synchronized to UTC time and certified by a National Measurement Institute (NMI).

TSA

See Time-Stamping Authority

TSP

Time-Stamp Protocol

TSR

See Time-Stamp Request

TSS

See Time StampServer (TSS)

TI

See Time Infrastructure

TDS

Time Distribution Service

UDP/IP

User Datagram Protocol/Internet Protocol is a communications protocol that provides service when messages are exchanged between computers in a network that uses the Internet Protocol. It is an alternative to the Transmission Control Protocol.

USNO

U.S. Naval Observatory, in Washington, D.C., where the atomic clock that serves as the official source of time for the United States is maintained.

UTC

See Coordinated Universal Time (UTC)

Vault

Secure data storage facility.

Verification

The process of making sure the identity of the parties involved in a transaction is what they claim it to be.

Virus

An unwanted program that hides “behind” legitimate code, and which is activated when the legitimate program is activated.

VPN

Virtual Private Network, a way that authorized individuals can gain secure access to an organization's intranet, usually via the Internet.

W3C

The World Wide Web Consortium, based at the Massachusetts Institute of Technology (MIT), is an international organization which creates standards for the World Wide Web.

Warrant

An attribute certificate that attests to the time of the device. It is used to adjust the clock.

Wireless Application Protocol (WAP)

Wireless Application Protocol, a worldwide standard for applications used on wireless communication networks.

WPKI

Wireless Public Key Infrastructure

WTLS

Wireless Transport Layer Security

X.509

The ITU's X.509 standard defines a standard format for digital certificates, the most-widely used PKI standard.

X.509 v3 Certificate Extension

The X.509 standard with extended features approved by the IETF.

Appendix F: TS Option 08G

TS Option 08G: Dual Input 38-73V Power Supply

Background

This option (Assembly #55194) takes nominal input of 48V through a rear panel terminal strip and provides +5 and ± 12 VDC to power the TS2100.

All inputs from the 55194 are from a rear panel terminal strip, TB1.

Also, all inputs have metal oxide varistors for transient voltage suppression.

Pin Assignments for the TB1

The pin configuration for the TB1 follow, as viewed from the rear of the unit.

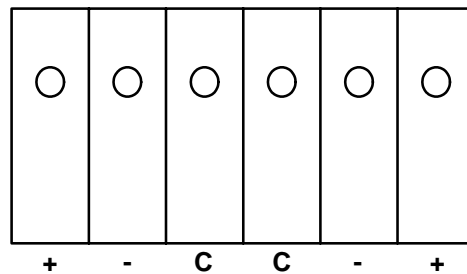


Figure F-3 Pin Configuration

Additional assignment details are:

Pin Assignment	
Pin Number	Pin Configuration
TB1-1	+ 48V (INPUT A)
TB1-2	Return (INPUT A)
TB1-3	Chassis Ground
TB1-4	Chassis Ground
TB1-5	Return (INPUT B)
TB1-6	+ 48V (INPUT B)

Pin Specifications

DC Input Voltage Range:	DC = 38-73 VDC
DC Input Current (Max) @ 38V:	0.6 amps
DC Input Current (Max) @ 73V:	0.3 amps
Internal Voltages Generated:	+5V, +12V, -12V
Maximum Current for above voltages:	5A, 1A, 1A (respectively)
Maximum Watts:	25 watts

Operation

This option has two inputs: A and B. These dual inputs provide for a backup supply. If one supply goes down, the other takes over. The dual inputs are diode “ORed” together using bridge rectifiers.


Even though the inputs are labeled + and -, it does not matter how they are connected; the labeling is there to help eliminate confusion. Both inputs have 1-amp (normal blow) fuses for protection.

The operating temperature of the unit should not exceed +40°C, because there is no forced airflow over the DC-DC converter.

Appendix G: Declaration of Conformity

EC DECLARATION OF CONFORMITY

Application of Council Directives: 89/336/EEC, 93/68/EEC, 73/23/EEC

Manufacturer's Name: 

Manufacturer's Address: 3 Parker Avenue, Irvine, CA 92618, USA

Importer's Name:

Importer's Address:

Type of Equipment: Information Technology Equipment

Equipment Class: Commercial and Light Industry

Model: TS2100 Network Time Server

Conforms to the following Standards: EN55022-1 (1998), EN55024-1 (1998), EN60950

Year of Manufacture: 2001

I the undersigned, hereby declare that the equipment specified above conforms to the above directive(s) and standard(s).

Place: Datum – Irvine

Date: December 13, 2001

Signature: 

Full Name: Norman C. Guenther

Position: Vice President Quality

Appendix H: Customer Support

US Assistance Center

(United States and Canada, Latin America including Caribbean, Pacific Rim including Asia, Australia and New Zealand)

Tel +1 888 367 7966 (+1 888 FOR SYMM) or +1 408 428 7907 (Worldwide)

Customer Service

For product quotes, service quotes, installations, order status and scheduling
7:00 am to 5:00 pm Pacific Time, Monday through Friday, excluding U.S. Holidays.

Technical Support

For technical support
24 hours a day, 7 days a week, every day of the year:
support@symmetricom.com

For Time Server Support

support@ntp-systems.com

EMEA Assistance Center

(Europe, Middle East and Africa)

Tel +44 (0) 1189 699 799 or +1 408 428 7907 (Worldwide)

Customer Service

For product quotes, service quotes, installations, order status and scheduling
8:00 am to 5:00 pm Greenwich Mean Time, Monday through Friday, excluding UK Holidays.

Technical Support

For technical support
24 hours a day, 7 days a week, every day of the year:
emea_support@symmetricom.com



Appendix I: Converting UTC Time to GPS Time

Overview

The definition of Network Time Protocol (NTP) requires that UTC time is served in response to time requests. Some TS2100 customers need non-standard NTP that serves GPS time instead of UTC time. This capability is available in TymServe's containing firmware version 2.54 and later. The TymServe's default mode is UTC time (with leap seconds deleted). A non-volatile flag setting stored in a serial EEPROM controls override of the default.

Note, this modification is unrelated to, and does not affect, two independent functions for adding a 'local' time offset to the displayed time and to the IRIG-B output.

Enabling GPS Time

This feature is enabled by setting a flag (bit 6) of the 'info field' stored in the EEPROM. The 'info field' controls a number of different settings in the unit and it is **critical** that the other settings **not be disturbed** during this operation. In order to be precise, it is best to discuss these flags using a hexadecimal representation. From this viewpoint, it is necessary to add a 0x40 (hex 40 or decimal 64) to the value currently stored in the info field. Note that the value returned by the 'info' command is displayed in a hexadecimal format. As the information in the serial EEPROM is related to the factory configuration for the particular unit, it is write-protected using a jumper located on the motherboard. A jumper must be installed on JP4 in order to be able to program new values into the serial EEPROM.

Procedure

Steps 1 and 2 are required only if the instrument's firmware version is earlier than 2.54. Otherwise, skip to Step 3.

1. Download new firmware into the unit using either the serial port or TFTP protocol (preferred method).
2. The unit will restart automatically after downloading the firmware. Verify that the unit acquires and tracks the selected reference source (i.e. GPS or IRIG) by waiting for the Tracking led to be lit on the front panel.
3. Power the unit down and remove all rear panel connections.

4. Take the unit to an electrostatically safe workstation and remove the top cover.
5. Install a standard shorting jumper on JP4 (near rear of motherboard between P4 and P5).
6. Replace the top cover with a few screws and reinstall the unit.
7. Power up the unit and attach to the command shell with either telnet or the rear panel serial connection.
8. Execute the command 'root eng ee info' and write down the hexadecimal value displayed. This is the current value stored in the info field.
9. Add 0x40 (hex 40 or decimal 64) to the value.

For example:

Old Value	New Value
0x00	0x40
0x2	0x42
0x4	0x44
0x6	0x46
0x8	0x48
0x10	0x50
0x14	0x54

10. Use the new value with the command 'root eng ee info 0xnn' where 0xnn is the new hexadecimal value.
11. Use the command 'root eng ee info' to verify correct programming of the info field.
12. Use the command 'root util restart' to restart the unit with the new settings.
13. Verify proper operation by monitoring the *Tracking* L.E.D. and then examining the time value displayed on the front panel.
14. Power the unit down and remove all rear panel connections.
15. Take the unit to an electrostatically safe workstation and remove the top cover.
16. Remove the shorting jumper on JP4.
17. Replace the top cover with all screws and reinstall the unit.
18. Power the unit up and verify proper operation.

Index

Numerics

48V 135

A

About This User Guide 9

Access Control 123

ACTS 123

 Interface 39

 Operation 39

Advanced Encryption Standard (AES) 123

Algorithm 123

and Business 7

ANSI 123

Antenna

 Best location 22

 Cable length 22

 Cable signal losses 23

 GPS, installation 22

 Options 14

Antiwarrant 123

API 123

ASCII 123

Assembly #55194 135

ATM 123

Attribute Certificate 123

Audit Trail 123

Authentication 124

Authorization 124

Automated Computer Time Service (ACTS) 39

B

BCD 124

Buffer size 42

Bureau International de l'Heure (BIPM) 124

C

Cable Installation

 Non-GPS 23

Cable Options 14

Cable Signal Losses 23

Calibration 124

CDMA 3, 10, 14, 124

CDMA antenna 14

CDMA Tools Directory 66

CDSA 124

Certificate 124

Certificate Authority (CA) 124

Certificate Extension 124

Certificate Request Message 124

Certificate Revocation List (CRL) 124

Certification Path 124

Command Description 42

Command Shell 41

Command Tree 43

Commands

 Dialup Tools Directory 66

 GPS Tools Directory 62

 HTTP Tools Directory 54

 Key 47

 Network 42, 44

 NTP Broadcast Directory 48

 NTP Server Directory 46

 Telnet Server Directory 49

 TFTP Tools Directory 53

 Timing 55

 Timing Utility Directory 59

Confidentiality 124

Configuration

 Initial 17

Configuration methods 25

Configurations

 Suggested 20

Content Filtering 124

Conventions Used in this Guide 9

Coordinated Universal Time (UTC) 124

Credential(s) 125

CRM 125

Cross-Certificate 125

Cryptochecksum 37

Cryptography 125

D

Data Encryption Standard (DES) 125

Datum Secure Network Time Protocol (DS/NTP) 125

Daytime Protocol (RFC 867) 34

DCLS 125

Declaration of Conformity 137, 139, 141

Decryption 125

Denial of Service 125

DES 125

DHCP 125

DHCP Tools Directory 51

Dialup Tools Directory 66

Diffie-Hellman 125

Digital Certificates 125

Digital Fingerprint 125

Digital Signature 125

Digital Signature Algorithm (DSA) 125

Digital Signature Standard (DSS) 125

Digital time-stamp 126

Directory 126

DS/NTP 126

DSA 126

DSS 126

DTT 126

Dual Input 38-73V Power Supply 135

E

Element Manager (ENMTMS) 126

Encryption 126
Ephemeris Time 126
Ethernet 17

F

FIPS 126
Firewall 126
Firmware Upgrade 99
Firmware Upgrade Procedure 99
Freerun mode 31
Frequently Asked Questions 79
Front panel keypad 25
Functionality,Testing 17

G

Global Positioning System (GPS) 4, 22, 126
Glossary 123
GMT 126
GPS
 4, 22, 32
 Antenna installation 19
GPS Tools Directory 62

H

Hack/crack 126
Hash 126
HTML 126
HTTP 127
HTTP Tools Directory 54
HTTPS 127

I

Identity Certificate 127
IEEE 127
IETF 2, 127
IKE 127
Importance of 7
In-band Authentication 127
Input/Output Connectors 93
Integrity 127
Internet HTTP Access 29
Intrinsic Help 42, 72
IPSec 127
IRIG 5, 127
IRIG-B 39
Irrefutable 127
ITU 127

K

Key 127
Key Escrow 127
Key Generation 127
Key Management 127
Key Pair 37, 127
Key Recovery 127

L

L1 Band, L2 Band 128
LDAP 128
Leap Seconds 128
Lightning arrester 19
local time offset 80
Locked 17, 31

M

MD5 128
Message Authentication Code (MAC) 128
Message Digest 128
MIB 28, 75, 128
 Additional Stored MIB Variables 76
 Compilation 76
 MIB-II Extension File 77
 Symmetricom MIB Extension 105
 Symmetricom MIB II Extension 76
MTBF 128
Multiplexing 128

N

National Institute of Standards and Technology (NIST) 39
National Measurement Institute (NMI) 128
Network Commands 44
Network Directory 44
Network Time Management System (NTMS) 128
Network Time Protocol (RFC 1305 and RFC 1119) 34
NIST 39, 128
NMIServer 128
NOC 128
Non-repudiation 129
Notarization 129
NTMS 129
NTP 1, 32, 129
 31, 32, 34
 Authentication 37
 Authentication Mechanism 37
 Authentication-Only 38
 Authenticator 37
 Broadcast Directory 48
 Client software 21
 Functionality 17
 How it defines the authentication process 38
 Leap Indicator 35
 Message Data 35
 Mode 35
 Network Time Protocol 34
 NTP Data Format 34
 Originate Timestamp 36
 Poll Interval 36
 Receive Time stamp 36
 Reference Clock Identifier 36
 Reference Timestamp 36
 Server Directory 46
 Stratum 36
 Synchronizing Dispersion 36

Synchronizing Distance 36
Transmit Time stamp 36
Version Number 35

O
OCSP 129
OID 129
Online validation 129
Oscillator 17
OSI 129
Out-of-band Authentication 129
Overview of TymServe 1

P
PCI 129
Permanent Installation 13, 19
Pin Assignments for the TB1 135
Pin Descriptions 94
PKCS 129
PKI 129
PKI Certificate 129
PKIX 129
POTS 39
Precision 36
Private Key 129
Programming and Storage of the Key Identifier/Key Pair 37
PSTN 129
Public Domain xNTP Package 37
Public Key 129
Public Key Certificate 130

Q
Quick Initial Setup 13

R
RA 130
Resolution 130
Revocation 130
RFC 1119 32, 34
RFC 1305 2, 34
RFC 1361 34
RFC 867 34
RFC 868 33
Risk Management 130
Root CA 130
Root Dispersion Version 3 36
Root Distance Version 3 36
Root Trust Time Services (RTTS) 130
RS-232 Serial Port B 27
RSA 130
RTS/CTS 40

S
S/MIME 130
Satellite signals
 Acquiring 17
Security 76

Serial 42
Serial connection
 Establishing 15
Serial Directory 67
Serial/Telnet Command Tree 43
SHA-1 130
Simple Network Time Protocol (RFC 1361) 34
Smart card 130
SNMP 130
SNMP Access 28
SNMP Configuration 75
SNMP Tools Directory 49
SNMPv1 76
SNTP 31, 34
Software flow control 40
Solar Time 130
Specifications 89
Spread-spectrum signal 22
SSL 130
SSL Client Authentication 130
SSL Server Authentication 130
SSL-LDAP 130
Stratum Levels 131
 About 2
 and GPS 33
SymmTime Time Utility 18
Sysplex Timer 31, 38, 131

T
TCCert 131
TCP/IP 1, 31, 131
Technical Support 9
Telnet 41, 101, 131
 Access 27
 Commands 16
 Server Directory 49
Testing Functionality 17
TFP Queries 60
TFTP 131
TFTP Download 100
TFTP Tools Directory 53
Time Distribution 31
Time Distribution Model 33
Time Protocol (RFC 868) 33
Time Protocols 33
Time Signing 131
Time Synchronization
 About 7
Time-Stamp 131
Time-Stamp Request 131
Time-Stamp Token 131
Time-Stamping Authority 131
Timing 42
Timing Commands 55
Timing Directory 55
Timing Utility Directory 59
TLS 131

TMC 131
Token 131
Tool box 131
TPC 131
TPCA 131
Traceability 132
Tracking 17, 31
Transaction 132
Transmission Control Protocol (TCP) 34
Triple-DES 132
Troubleshooting 84
Trust 132
Trusted Time Infrastructure 132
Trusted Time NMIServer 132
Trusted Time StampServer (TSS) 132
Trusted Time Trusted MasterClock (TMC) 132
TS Option 08G 135
TSA 132
TSP 132
TSR 132
TSS 132
TTDS 132
TTI 132
TymServe
 ACTS, typical configuration 25
 And ACTS 40
 and GPS 32
 Client 3
 Client Software 32
 Components 2
 Configurations, suggested 20
 Front and Rear Views 15, 93
 How it uses NTP authentication-only 38
 How it uses the Sysplex timer 38
 IRIG 5
 IRIG, typical configuration 24
 Operation 31
 Sample uses of 8
 Server 2
 Time Distribution 31
 Unpacking 10
TymServe Distributing Time 1

U

UDP/IP 132
Universal Coordinated Time 7
Unpacking Your TymServe 10
User Datagram Protocol (UDP) 34
User Guide
 Obtaining additional copies 9
USNO 132
UTC 7, 132
Utility 42
Utility Directory 69

V

Vault 132

Verification 133

Virus 133

VPN 133

W

W3C 133

Warrant 133

Wireless Application Protocol (WAP) 133

WPKI 133

WTLS 133

X

X.509 133

X.509 v3 Certificate Extension 133



SYMMETRICOM TIMING TEST & MEASUREMENT

3750 Westwind Blvd.
Santa Rosa, California
95403 USA
tel: 707-528-1230 or 1-888-367-7966
fax: 707-527-6640
support@ntp-systems.com
www.symmetricom.com

For more information about the complete range of Quality Timing Products from the Symmetricom Group of Companies, call **1-888-367-7966** in the U.S and Canada.

Or visit our site on the world wide web at <http://www.symmetricom.com> for continuously updated product specifications, news and information.